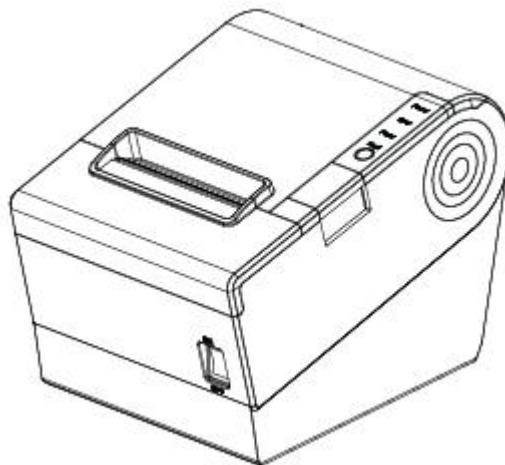

KP806

User Manual



Xiamen Hanin Electronic Technology Co.,Ltd

Room 305A,Angye Building,Pioneering Park,
Torch High-tech Zone,Xiamen,China.

+86-(0)592-5885993

+86-(0)592-5885992

CONTENTS

Statement.....	1
CAUTIONS.....	1
IMPORTANT SAFETY INSTRUCTIONS.....	2
1 OVERVIEW.....	3
1.1 Introductions.....	3
1.2 The Main Features.....	3
2 OVERVIEW.....	3
2.1 Packing List.....	3
1.4 Appearance and Components.....	5
2 SPECIFICATION.....	7
2.1 Printer Specification.....	7
2.2 Media Specification.....	9
2.2.1 Continuous Thermal Paper Specification.....	9
2.2.2 Paper Specification.....	9
2.3 Printing and Cutting Position.....	10
2.3.1 Printing Position.....	10
2.3.2 Cutting Position.....	10
3 INSTALLATION AND USAGE.....	11
3.1 Installation Site and Direction of Printer.....	11
3.2 Ethernet Waterproof Buckle Loading.....	11
3.3 Media Loading.....	13
3.3.1 Paper Confirmation.....	13
3.3.2 Procedure of Loading.....	13
3.4 Specification of LED Indication and Beeper.....	15
3.5 Power Adapter Connection.....	16
3.6 Interface Cable Connection.....	17
3.7 Print Test.....	17
3.7.1 Print Self-Test.....	17
3.7.2 Printing of Windows Driver Program.....	17
3.8 Hexadecimal Dumping.....	18
4 INTERFACES.....	19
4.1 USB.....	19
4.2 Ethernet Interface.....	19
4.3 Power Interface.....	20
5 TROUBLESHOOTING.....	21
5.1 Printer Not Working.....	21
5.2 LED Indicator On The Control Panel and Beeper Alarm.....	21
5.3 Troubles Occur During Printing.....	22
5.4 Problems Emerge During the Paper Cutting Processes.....	22
5.5 Remove Jammed Paper.....	23
6 PRINTER CLEANING AND MAINTENANCE.....	24
6.1 Cleaning Head.....	24
6.2 Cleaning Sensors, Roller and/or Paper Path.....	24

Statement

This manual content may be altered without permission, and Xiamen Hanin Electronic Technology Co., Ltd. reserves the right to make changes without notice in technology, spare parts, hardware and software of the products. If more information is needed about the products, please contact Xiamen Hanin Electronic Technology Co., Ltd. Without any written permission from the company, any section of this manual is prohibited to be copied or transferred in any form.

Copyright

This manual is printed in 2017, the copyright belongs to Xiamen Hanin Electronic Technology Co. Ltd.

Printed in China

1.0 Version

CAUTIONS

Warnings



This must be complied with in order to avoid any damage to the human body and to the equipment.



This is showing the important information and tips for the printer operating.

Note: Due to continuous improvement of our product, the description of printer specification, accessories, design in this manual may slightly different, please in kind prevail.

IMPORTANT SAFETY INSTRUCTIONS

Carefully read the installation and operating instructions provided with the printer before starting up your printer:

1. Safety warning



Warnings:The print head will become very hot during printing; avoid contact with the print head after printing has finished.



Warnings:Do not touch the printer head and connector in case static damage the printer head.

2. Instructions

- 1) Place the printer on a flat and stable surface.
- 2) Leave enough space around printer for operation and maintenance.
- 3) Do not place the printer on or near a sunlight, glare and heat source.
- 4) Do not use or storage the printer near high temperatures, high humidity and serious pollution.
- 5) Protect the printer from shock, impact and vibration.
- 6) Do not place the power cord where it can be stepped on. If the power cord becomes damaged or frayed, replace it immediately.
- 7) Switch off the printer AC Adapter power when won't use it for a long time.
- 8) To ensure the print quality and reliability, you are suggested to use the recommended paper or the same quality paper.
- 9) Please switch off the power supply when connect/disconnect all the ports or it will cause damage to the printer control circuit.
- 10) Never carry out maintenance or repair work yourself. Always contact a qualified service technician.
- 11) Keep this User Manual in a place which is easily accessible at all times
- 12) Due to continuous update of product, please take in kind of real machine, such as accessories, programs etc.

1 OVERVIEW

1.1 Introductions

KP806 is a thermal receipt printer with auto-cutter, featured by high print quality, high print speed, high stability, etc. It can be used in commercial POS system, food industry and occasions which need real-time field print receipts.

KP806 can connect with other equipment through parallel, serial, USB, bluetooth and Ethernet Wi-Fi interfaces. And the printer drivers are available for the WINDOWS XP/7/8/10/Vista operating system.

1.2 The Main Features

- 1) Patent design of unique vertical double auto cutter.
- 2) Low noise.
- 3) High print speed.
- 4) Easy paper loading.
- 5) Easy to use and storage.
- 6) Compatible with various width paper.
- 7) Communication interfaces optional.

2 OVERVIEW

2.1 Packing List

Warnings:

- 1) After receiving your printer, please check for possible shipping damage:
 -
- 2) Check whether you have received the following accessories as 1-1 showed together with the printer, if there is any items missing, please contact your local dealer.

■Standard Accessories



Printer



Quick Start Guide



Roll Paper



Power Adapter



Power Cord



USB Cable



CD

■Optional Accessories



Serial Cable

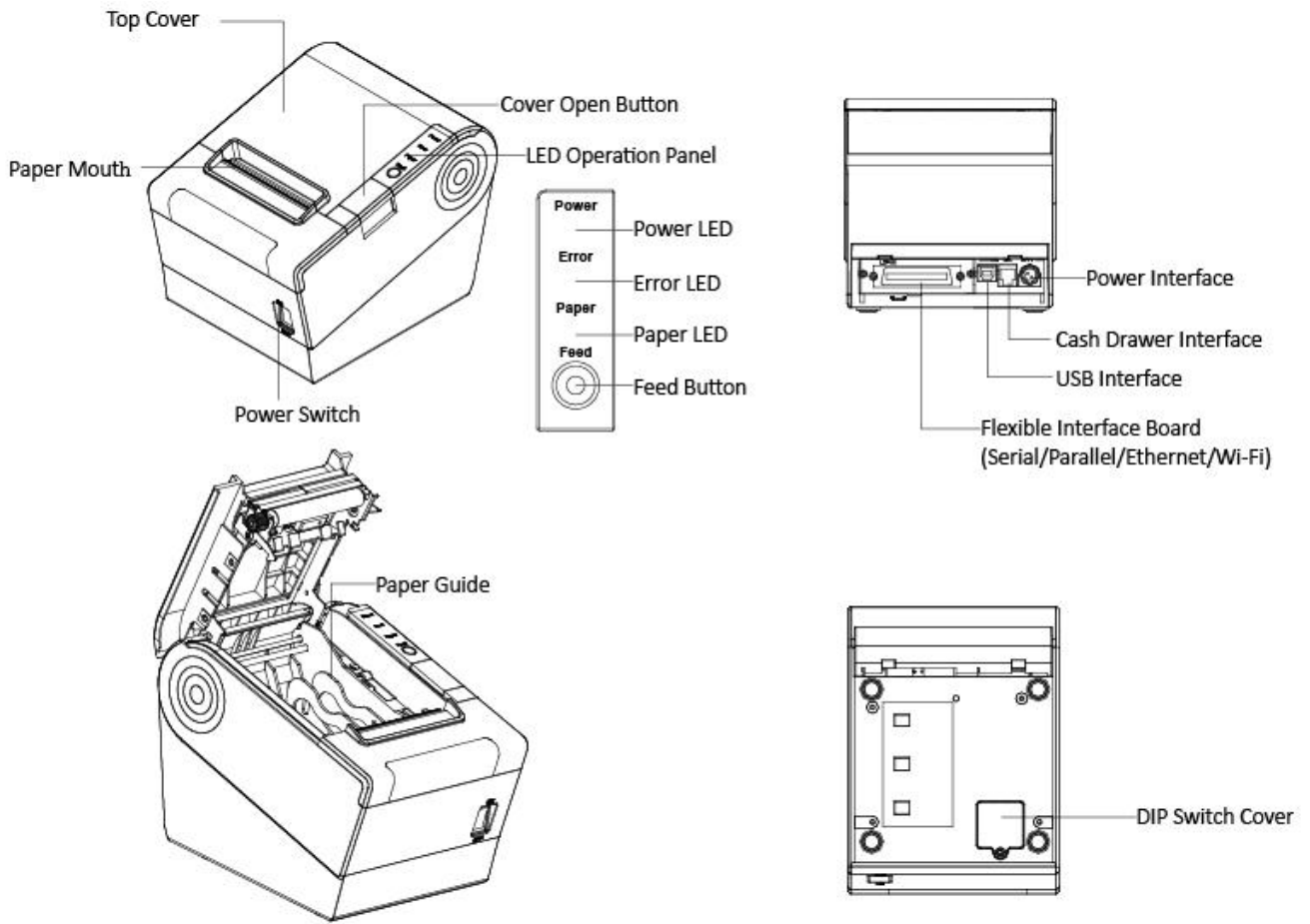


Parallel Cable

1.The power cord and power adapter vary by local or region.

2.Some customers may require not packing some parts of the standard accessories for special, if users are confused, please contact with your dealer for more detail.

1.4 Appearance and Components



Specification of some part elements:1) Power switch

Press “0” to turn off power and press “|” to turn on power supply.

2) Feed button

Feed paper:When it's not in the alarm status,push the button to feed paper.Push the button continuously to feed the long distance.

3) Power LED

It indicate the power status.

4) Paper LED

It detect the status of paper,such as paper near end and paper out.See more details in“3.4 Specification of Indicated light and beeper”.

5) Error LED

If there is an abnormal phenomenon and error LED flashing,it means the printer is in the wrong status.Please turn off the power immediately.

6) Paper guide

In paper storehouse,paper guide can change the position to adapt to different paper width.

KP806 storehouse has 2 paper guide slot.paper guide slot 1/2 adapt to 80_{-1}^{+0} mm/ 58_{-1}^{+0} mm print paper respectively.

**Warnings:**

Paper guide is essential to adjusting the paper width. Please keep it properly.

2 SPECIFICATION

2.1 Printer Specification

Table2-1 General Specification

(1/2)

Model		Parameters
Printing Parameter	Print method	Direct thermal line printing
	Resolution	203 dpi,8 dots/mm
	Printing width	72 mm/48 mm
	Print speed	200~250 mm/s
	Interface	USB/Ethernet
	Print density	Adjustable from level 1 to level 4
Page Mode		Support
Memory	RAM	16Mb
	Flash	32Mb
Character	Chinese	GB18030 24×24
	Alphanumeric	ASC II 9×17,12×24
	User-defined	Support
	Code page	Optional international character sets :PC437(std.Europe), Katakana, PC850(Multilingual), PC860(Portuguese), PC863(Canadian), PC865(Nordic), PC857(Turkish), PC737(Greek), ISO8859-7(Greek), WPC1252, PC866(Cyrillic #2), PC852(Latin 2), PC858(Euro), KU42(Thai), TIS11(Thai), TIS18(Thai), PC720(Arabic), WPC775(Baltic Rim), PC855(Cyrillic), PC862(Hebrew), PC864(Arabic), ISO8859-2(Latin2), ISO8859-15(Latin9), WPC1250(Latin 2), WPC1251(Cyrillic), WPC1253(Greek), WPC1254(Turkish), WPC1255(Hebrew), WPC1256(Arabic), WPC1257(Baltic Rim), WPC1258(Vietnamese), MIK(Cyrillic), PC755(Latin 2), Iran, Iran II, Latvian, ISO-8859-1(WestEur), ISO-8859-3(Latin 3), ISO-8859-4(Baltic), ISO-8859-5(Cyrillic), ISO-8859-6(Arabic), ISO-8859-8(Hebrew), ISO-8859-9(Turkish), PC856, PC3848(ABICOMP), MONGOLIAN, VISCI
Graphics		Support varied density bitmap as and download bitmap printing. Max size of each bitmap is 40K, the total size of bitmap is 256k
Barcode	1D	UPC-A,UPC-E,EAN8,EAN13,CODE39,ITF,CODEBAR,CODE128,CODE93
	2D	PDF417,QR code
Detect Function	Sensors	Paper near end,paper out and cover open sensors
LED Indicator	Power LED	Green LED
	Paper LED	Red LED
	Error LED	Red LED
Power Supply	Type	External power adapter
	Input	AC100V-240V 50-60HZ
	Output	24V --- = 2A

Table2-1 General Specification (Continued)

(2/2)

Model		Parameters
Paper	Paper type	Thermal Receipt Paper
	Paper width	80 ⁺⁰ ₋₁ mm/58 ⁺⁰ ₋₁ mm
	Paper thickness	0.050~0.090mm
	Roll paper diameter	Max 83mm
	Paper load	Upward cover open and easy paper loading
	Paper cut	Manual tear or auto-cutter
Command		ESC/POS
Physical Spec.	Operating condition	0°C ~ 45°C , 20% ~ 85%RH
	Storage condition	-40°C ~ 60°C , 5% ~ 95%RH
	Dimensions (W*L*H)	201.4*152.2*147.7mm
	Weight	1.8kg
Reliability	TPH lifetime	150km
	Cutter lifetime	2,000,000cuts
	MTBF	360,000hours
Software	Driver	Windows XP/Win7/Win8/Win10/Vista/POSReady/Linux CUPS/OPOS/JavePOS
	SDK	WinCE, WinMobile, Android, iOS

2.2 Media Specification

2.2.1 Continuous Thermal Paper Specification

- 1) Paper Type:Specified Thermal Paper
- 2) Paper Width: 80^{+0}_{-1} mm/ 58^{+0}_{-1} mm
- 3) Roll Paper Core 13mm(Internal Diameter) 18mm(Outer Diameter)
- 4) Paper Thickness:0.050 ~ 0.090mm
- 5) Recommending Paper

Paper Type	Manufacturer
FD210,PD150R,PD160R	OJI Paper CO.,

2.2.2 Paper Specification

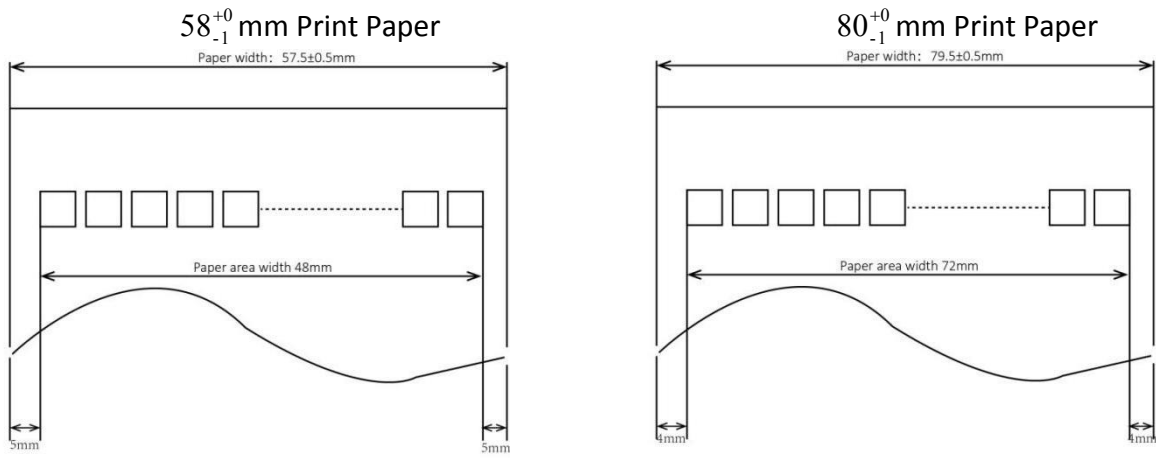


Notes:

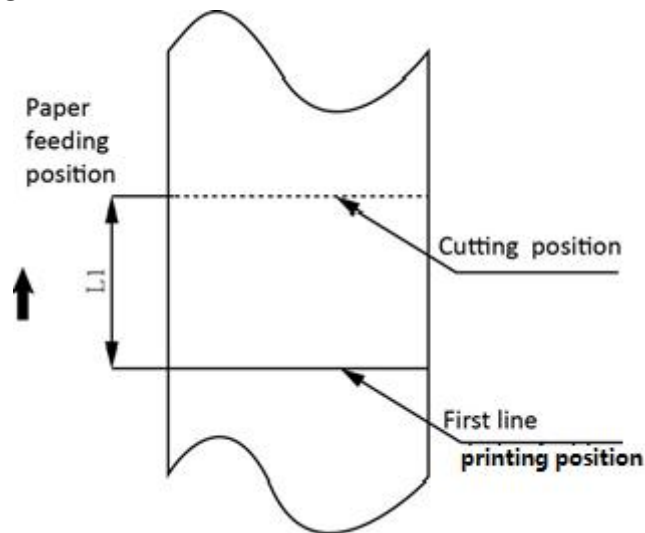
- 1) Please use the recommended thermal paper or same quality paper, otherwise it will influence the print quality and decrease the thermal printer head life;
- 2) Don't stick the paper on the roll paper mandrel;
- 3) If the thermal paper is polluted by chemical or oil, the thermal paper heat sensibility decreases, which will influence the print quality;
- 4) Don't use finger nail or hard articles to touch the surface of thermal paper, otherwise it will cause color fading;
- 5) When the environment temperature is higher than 70°C, the thermal paper color will fade, so pay attention to the influence of temperature, humidity and sunlight.

2.3 Printing and Cutting Position

2.3.1 Printing Position



2.3.2 Cutting Position



Type	Paper Cutting Position(L1)
KP806	15.4mm

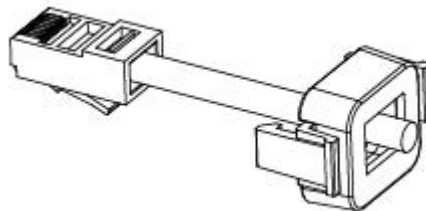
3 INSTALLATION AND USAGE

3.1 Installation Site and Direction of Printer

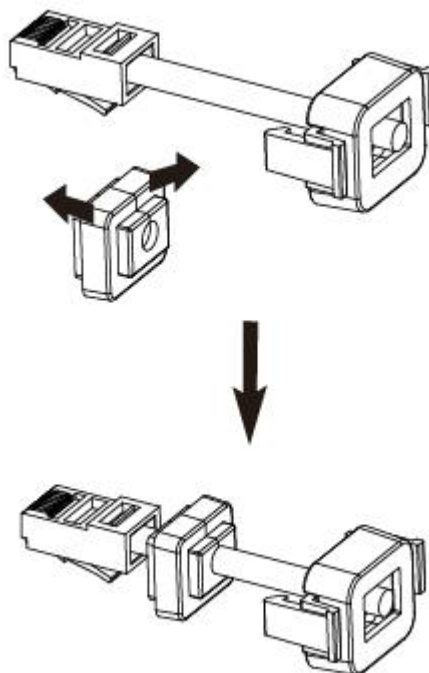
- 1) 1) KP806 have two ways to install: wall-hanging(optional:wall-hanging carrier) and horizontal installation. It's recommend that install the printer at horizontal line;
- 2) 2) The printer should install at a flat and steady place. It's recommend that install the printer at horizontal line.The angle of inclination should not exceed $\pm 10^\circ$ (paper feed direction) if tilt install printer, it does not allow to tilt by other direction;
- 3) 3) Keep printer far away from source of water;
- 4) 4) Avoid the printer on place where it is vibration and shock;
- 5) 5) Ensure printer ground connect is safe;
- 6) 6) When the printer is at operation and maintenance, it is recommended to retain the enough space to ensure the printer can work in reliability and ease of operation.

3.2 Ethernet Waterproof Buckle Loading

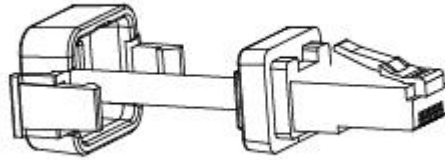
1.Let Ethernet line get through lid of waterproof net.



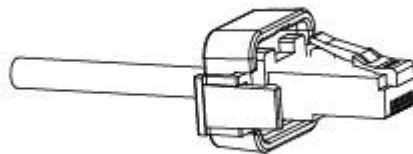
2.Open silicone lid of waterproof net,set silicone lid into waterproof net.



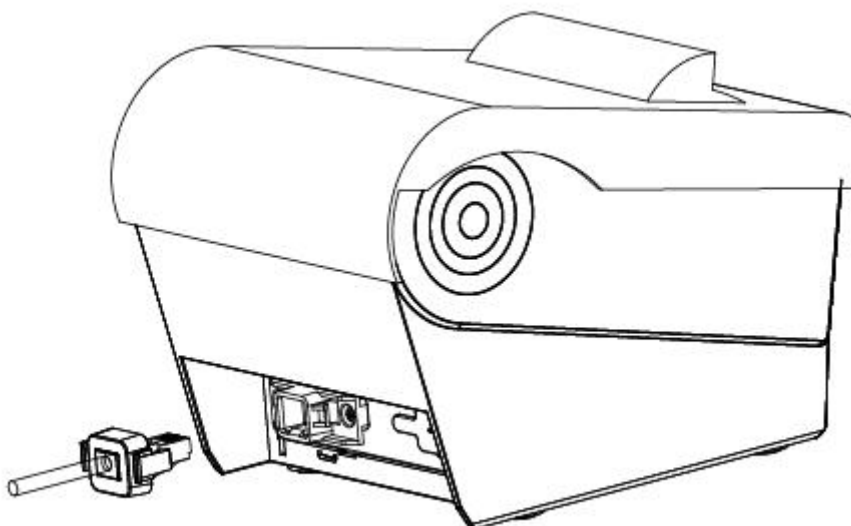
3.Adjust incision of silicone lid of waterproof net and top cover of waterproof net,to suit for crystal shrapnel of Ethernet.



4.Let silicone of top of waterproof net and crystal head into lid of waterproof net,to make sure lid of waterproof net is plugged tightly.



5.Let Ethernet into the base of waterproof net,press buckle till it into right position.



3.3 Media Loading

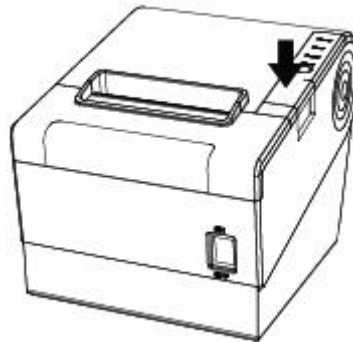
3.3.1 Paper Confirmation

Method:

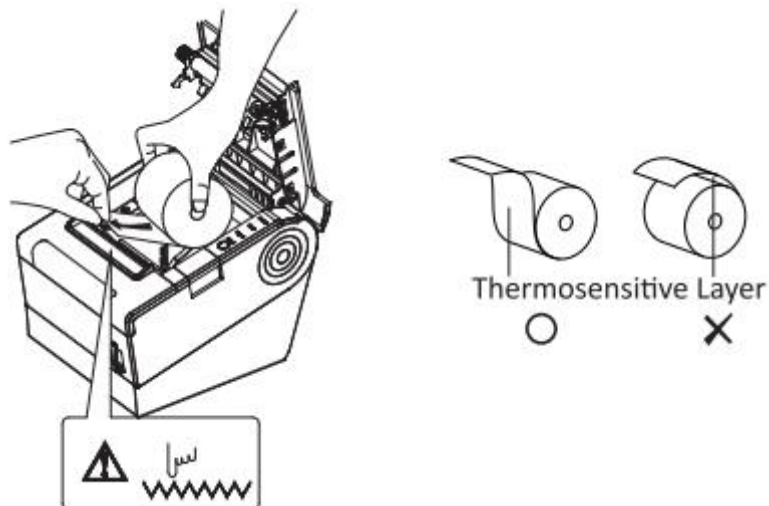
- 1)Put the finger into the hole in the paper guide, then lift the paper guide
- 2)According to the paper width, insert the paper guide in the proper position.

3.3.2 Procedure of Loading

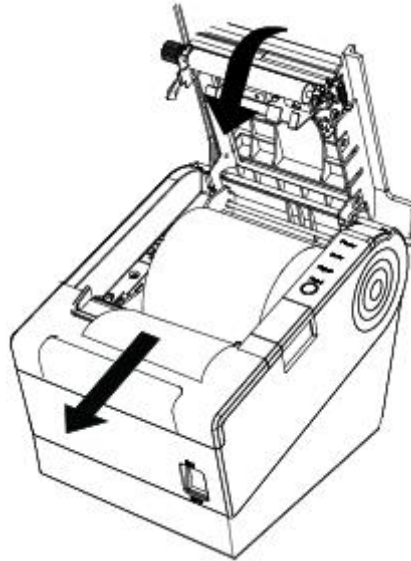
- 1.Pressing the open button, open the printer cover of printer.



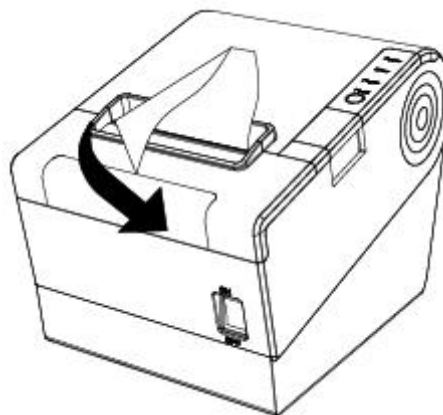
- 2.Put the paper into printer. Pay attention to the direction of the paper.



3. Pull out some roll paper, and close the printer cover.



4. Tear the extra paper in the direction of printer.



 Notes:

- 1) According to the paper size to adjust the paper guide;
- 2) Make sure the paper inside is at tight status, or it will issue paper or other obstacle.

3.4 Specification of LED Indication and Beeper

Name	Status	Specification
POWER LED (Green)	ON	The printer work well
	OFF	The printer powers of
ERROR LED (Red)	Flash	The printer in an error state
	OFF	The printer work well
PAPER LED (Red)	ON	The printer in paper out state
	OFF	The printer in an normal state

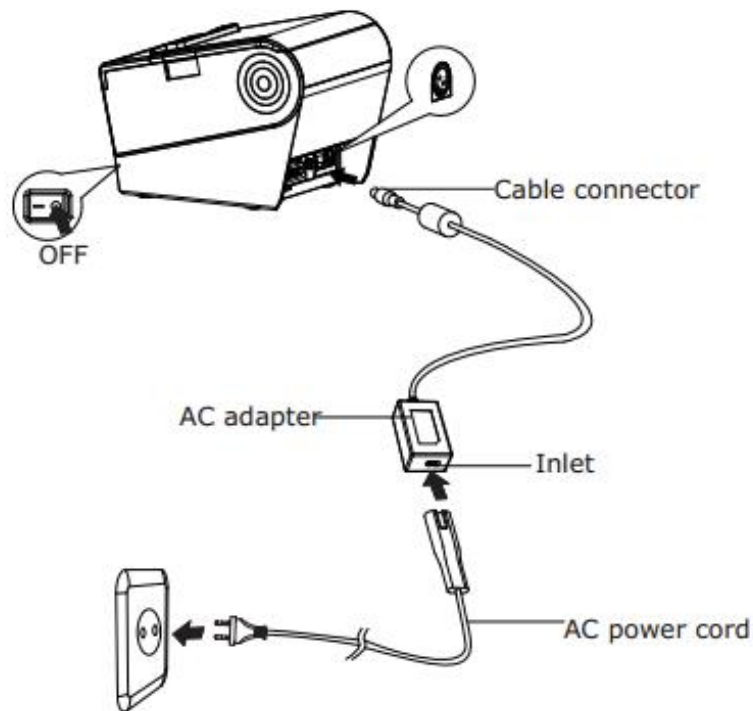
Description	POWER LED	ERROR LED	PAPER LED	Beeper
Cover Open	ON	ON	ON	“Beep ,Beep--,Beep”
Full of paper	ON	OFF	OFF	Silent
No Paper	ON	ON	ON	“Beep Beep Beep”.
Cutter Jam	ON	Flash	OFF	”Beep—, Beep—”
Paper Near End	ON	OFF	ON	Silent

 Notes:

The printer use a thermistor to detect the temperature of the print head. If the temperature of print head is more than 65° C, printer will send a warning. If the temperature of print head is more than 80° C, printer will stop working until the temperature is less then 60° C.

3.5 Power Adapter Connection

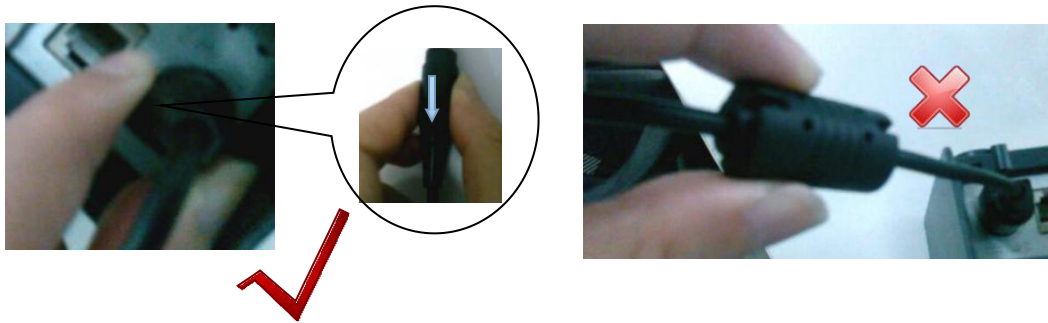
- 1). Make sure the printer's power switch is turned off;
- 2). Connect AC adapter with printer.
- 3). Connect AC adapter with power cord.
- 4). Plug the other side of power cord into the socket nearby.



The plug of power adapter is designed in a switch type, when accessing power adapter and uttered the voice "click", it means the connected socket switch is locked the adapter connect well, otherwise please connect again.

When pull out the adapter, please pinch the shell of power adapter and pull the switch up, when the switch is fully opened then pull out the power adapter.

Don't put forth your strength to pull the plug by squeeze at any of place of power adapter. Because it is more difficult to pull it out and easy to damage the cable.



⚠️注意：

- 1) Please only use the power adapter are recommended by supplied or equivalent products;
- 2) When disconnecting the power adapter plug, handhold plug connector housing, to avoid the pulling on the cable in force;
- 3) Avoid drag the power adapter cable, otherwise it will damage the cables, causing fire and shock;
- 4) Avoid put power adapter around a heating device, otherwise the cable may melt, causing fire and shock;
- 5) If you do not use the printer in a long time, disconnect the power supply of printer power adapter.

3.6 Interface Cable Connection

- 1) Make sure the printer's power switch is turned off;
- 2) Put the interface cable into the matched interface and fixed with screws (or spring) on the plug;
- 3) Connect the other end of the interface cable to the host.

3.7 Print Test

3.7.1 Print Self-Test

- 1) Make sure the printer has been installed roll paper and turn off the top cover.
- 2) Make sure the printer has linked power.
- 3) Make sure the printer power off.
- 4) Press and hold FEED button, then turn on power switch, the printer will print out self-test page.

3.7.2 Printing of Windows Driver Program

- 1) Install the Windows Driver program. (Please refer to the Windows Driver Manual).
- 2) Please set the "Interface" as the type you use.
- 3) Use the Windows Driver Program to print out the "Print Test Page".

3.8 Hexadecimal Dumping

This function allows experienced users to see exactly what data is coming to the printer. This can be useful in finding software problems. When you turn on the hexadecimal dump function, the printer prints all commands and data in hexadecimal format along with a guide section to help you find specific commands.

To use the hexadecimal dump function, follow these steps.

1. After making sure that the printer is off, open the cover.
2. Turn the printer on, while holding down the FEED button.
3. Close the cover, and then the printer enters the hexadecimal dump mode.
4. Run any software program that sends data to the printer.

The printer will print all the codes it receives in a two-column format.

The first column contains the hexadecimal codes

The second column gives the ASCII characters that correspond to the codes.

```

1B 21 00 1B 26 02 40 40 40 40      . ! . . & . @ @ @ @
02 0D 1B 44 0A 14 1E 28 28 28      ... D . . . . ( ( (
00 01 0A 41 0D 42 0A 43 43 43      ... A . B . C   C   C
    
```

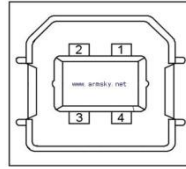
- A period (.) is printed for each code that has no ASCII equivalent.
- During the hex dump, all commands are disabled.

- 1) When the printing finishes, turn off the printer.
- 2) Turn on the printer and then the hexadecimal mode is off.

4 INTERFACES

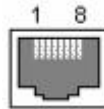
Printer KP806 supports cash drawer interface and many other various communicate interfaces:USB interface, Ethernet interface

4.1 USB



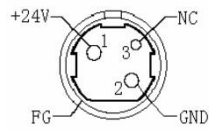
PIN NO.	Signal Name
1	VBUS
2	D-
3	D+
4	GND

4.2 Ethernet Interface



PIN No.	Signal Name
1	TX+
2	TX-
3	RX+
4	-
5	-
6	RX+
7	-
8	-

4.3 Power Interface



PIN No.	Signal Name
1	+24V
2	GND
3	N.C
SHELL	F.G

Printer end-Unetop DC-002 or similar products, user end-Unetop DC-002 or similar products.

5 TROUBLESHOOTING

Your printer is very reliable, but occasionally problems may occur. This chapter provides information on some common problems you may encounter and how to solve them. If you encounter problems that you can not resolve, contact your dealer for assistance.

5.1 Printer Not Working

Problem description	Probable reason	Solution
LED not light, printer not working	Printer No power	Connecting the power supply
	Printer not on	Turn on the printer
	Circuit board broken	Contact with the dealer

5.2 LED Indicator On The Control Panel and Beeper Alarm

Problem description	Probable reason	Solution
Paper LED always on	Paper near end	The roll paper is near end, the printer can work normally
Error LED always on and beeper alarms	Printer Cover open	Close the printer cover
Paper Error LED always on and beeper alarms	Paper out	Reload the roll paper
Error LED blinks and beeper alarms	Thermal print head overheated	Turn the printer off and resume when it cools
	overvoltage	Print with specified voltage
	Low-voltage	Print with specified voltage

5.3 Troubles Occur During Printing

Problem description	Probable reason	Solution
Coloured stripe in the paper	Paper near end	Reinstall the roll paper
Blurred printing or spot	Incorrect roll paper installation	Check if the roll paper is installed
	Unqualified roll paper	Use recommended thermal roll paper
	Dirty thermal head or print roller	Clean the thermal head or print roller
	Low print density	Increase the print density level
Paper Jam	Paper strike	Open the printer cover, check the paper path and remove jammed paper
Vertical print words missing	Dirty thermal head or print roller	Clean the thermal head or print roller
	Thermal head damaged	Contact your dealer for assistance

5.4 Problems Emerge During the Paper Cutting Processes

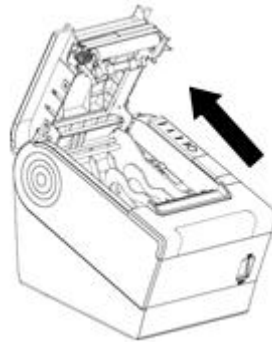
Problem description	Probable reason	Resolution
Cutter jam, the movable cutter cannot back	Cutter abrasion, insufficient cutting	replace the cutter
	Worm gear and worm wheel abrasion	Replace the worm gear and worm wheel
	Motor burnt	Replace the motor
	Paper scraps	Clean the paper scraps on the transmission system
Insufficient cutting	Cutter edge abrasion, paper too thick	Replace the cutter
Paper jam	Thermal printer head over heat	Reduce the density of printing
	Driving too fast	Reduce the printer speed to the limit of thermal printer head
	Wrong paper feeding position	Put the paper parallel with the paper mount and insert into the space between platen roller and the thermal printer head

5.5 Remove Jammed Paper

Note:

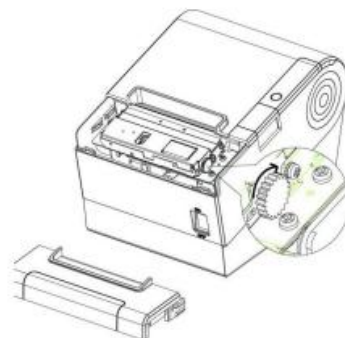
If the top cover can be opened, operate it according to the next steps:

- 1) Turn off the printer and press open cover button.
- 2) Remove jammed paper, reinstall the roll, and close the cover.(as shown on the below)



If KP806 paper stuck in cutting so that cannot open printer top cover,then open the front cover.

- 1) Turn the knob until cutter return to the normal position.
- 2) Close the front cover.
- 3) Open the top cover and remove jammed paper.(as shown on the below)



6 PRINTER CLEANING AND MAINTENANCE

Print quality might be degraded by dust, foreign substance, adhesive substance, or other pollution materials stuck in the printer head or inside the printer.

※ CAUTION

- Make sure to turn off the printer prior to cleaning.
- As the print head gets hot during printing, intending to clean the print head, turn the printer off and wait approximately 2~3 minute before commencement.
- When cleaning the print head, take care not to touch the heated portion of the print head. Print Head is susceptible to damage from static electricity, etc.
- Take care not to allow the print head become scratched and/or damaged in any way.

6.1 Cleaning Head

- 1) Open the Printer Cover and then use the cleaning pen to clean the head in the direction from the center of the head to the edges.
- 2) After cleaning the head, do not use the printer until the alcohol used for cleaning evaporates completely (1~2 min) and the printer has completely dried.

6.2 Cleaning Sensors, Roller and/or Paper Path

- 1) Open the printer cover and then remove the paper.
- 2) Remove any dust or foreign substance using dry cloth or cotton swab.
- 3) Soak the cloth or cotton swab in alcohol for medical use and use it to remove adhesive foreign substances or other pollution materials.
- 4) After cleaning the parts, do not use the printer until the alcohol evaporates completely (1~2 min) and the printer has completely dried.

※ Clean the parts whenever print quality or paper detection degraded.