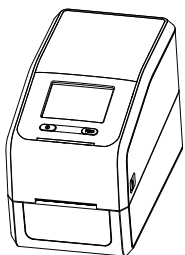


Quick Start Guide

Galaxy



Caution:

This is a Class A product. In a domestic environment this product may cause radio interference in which the user may be required to take adequate measures.

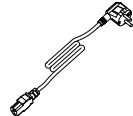
Packing List



Printer



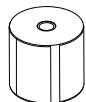
AC Adapter



Power Cord



USB Cable



Label Roll



CD



Quick Start Guide



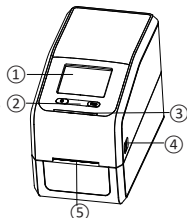
Ribbon

⚠ Note: The packing items are actually based on the order.

Appearance and Components

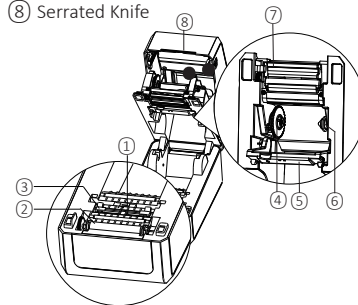
■ Front

- ① Display
- ② Function Button
- ③ Status Indicator
- ④ Cover Open Levers
- ⑤ Front Paper Outlet



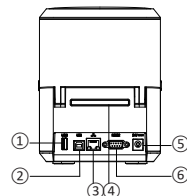
■ Inside

- ① Moveable Label Sensor
- ② Moveable Label Guides
- ③ Platen
- ④ Ribbon Supply Wheel
- ⑤ Rebound Upper Sensor
- ⑥ Ribbon Supply Shaft
- ⑦ Print Head Module
- ⑧ Serrated Knife



■ Rear

- ① USB Port (Type A)
- ② USB Port (Type B)
- ③ Ethernet Port
- ④ Back Paper Outlet
- ⑤ Power Receptacle
- ⑥ Serial Port



⚠ Note: The interface shown in the figure above is for reference only.

FCC WARNING:

This device complies with part 15 of the FCC Rules. Operation is subject to the following two conditions: (1) this device may not cause harmful interference, and (2) this device must accept any interference received, including interference that may cause undesired operation.

Any changes or modifications not expressly approved by the party responsible for compliance could void the user's authority to operate the equipment.

NOTE: This equipment has been tested and found to comply with the limits for a Class A digital device, pursuant to part 15 of the FCC Rules. These limits are designed to provide reasonable protection against harmful interference when the equipment is operated in a commercial environment. This equipment generates, uses, and can radiate radio frequency energy and, if not installed and used in accordance with the instruction manual, may cause harmful interference to radio communications. Operation of this equipment in a residential area is likely to cause harmful interference in which case the user will be required to correct the interference at his own expense.

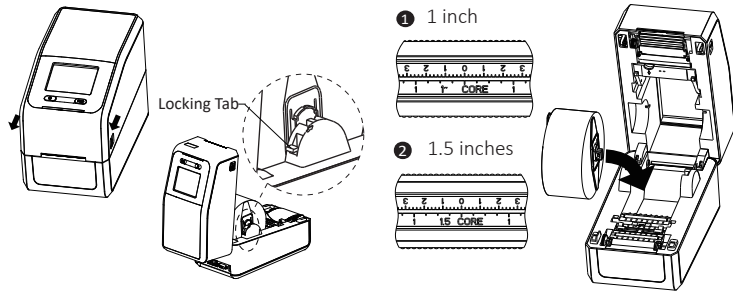
-- Reorient or relocate the receiving antenna.
-- Increase the separation between the equipment and receiver.

-- Connect the equipment into an outlet on a circuit different from that to which the receiver is connected.
-- Consult the dealer or an experienced radio/TV technician for help.

To maintain compliance with FCC's RF Exposure guidelines, This equipment should be installed and operated with minimum distance between 20cm the radiator your body: Use only the supplied antenna.

Paper Loading

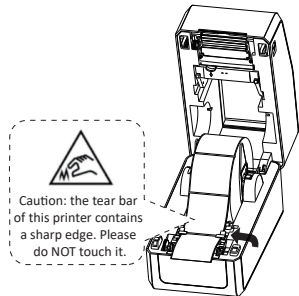
1. Pull and lift the cover.
2. Put the paper roll into the axis by with the inner diameter of the paper roll.Pull the roll holders open and place the roll between them.



⚠ Note:

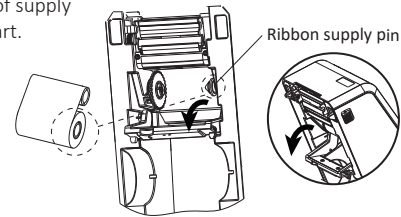
1. After lifting the top cover, the locking tab will hold the top cover to prevent the top from falling and hurting hands.
2. When using the 1 inch paper roll, the font of "1 CORE" should be upward; when using the 1.5 inch paper roll, the axis should be turned 180 degrees and the font of "1.5 CORE" should be upward.

3. Pass the label through the label guides, then adjust guides to adapt to the label width.



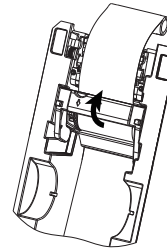
Ribbon Loading

1. Insert the right part of supply spindle, then the left part.

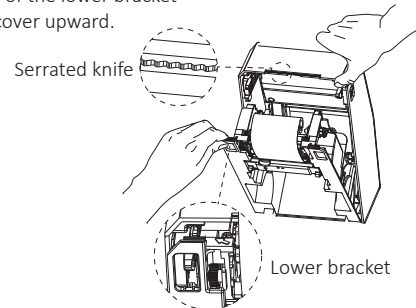


- ▲ Note: Please follow the figure above to ensure the ribbon is loaded in the right direction. When the ribbon is installed, the smooth face should be toward the print head and the fog face should be toward the platen.

2. Loosen the upper sensor bracket and put it back after the ribbon supply part is installed.

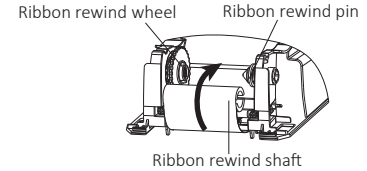


3. Hold the handle of the lower bracket and push the top cover upward.

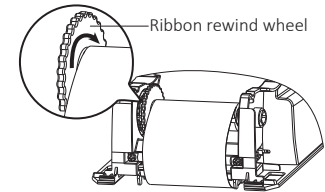


- ⚠ Note: Please refer to windows driver installation in Galaxy User Manual.

4. Ring the ribbon up. Then embed the right side of the ribbon rewind shaft in the ribbon rewind pin, and embed the left side of the ribbon rewind shaft in the ribbon rewind wheel.



5. Rotate the ribbon rewind wheel until ribbon is pulled tightly.



6. Press the cover lock and close the cover slightly.

