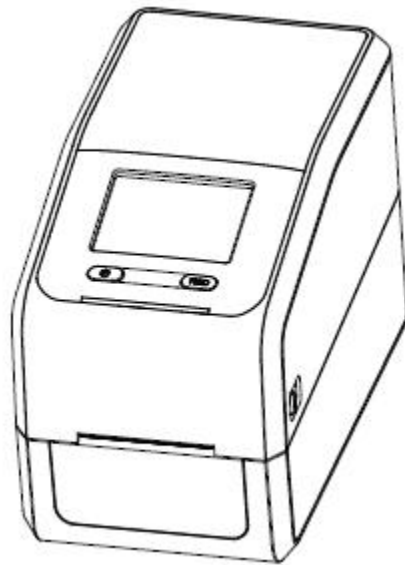


# HPRT

## Galaxy



## User Manual

**Xiamen Hanin Co.,Ltd.**

Address: No.96, Rongyuan Road, Tong'an District, Xiamen, Fujian, China 361100

E-mail: support@hpert.com

Web: www.hpert.com

# Contents

Important Safety Instructions .....	1
Chapter 1 Introduction .....	4
1.1 Packing List .....	4
1.2 Appearance and Components .....	5
1.3 Dimension .....	6
Chapter 2 Specifications .....	7
Chapter 3 Installation & Usage .....	9
3.1 Media Loading .....	9
3.1.1 Loading the Roll .....	9
3.1.2 Loading the Ribbon .....	11
3.2 Power Connection .....	13
3.3 Peripherals Connection .....	14
3.3.1 Interface Cable Connection .....	14
3.3.2 Bluetooth Connection .....	14
3.4 Detection .....	15
3.4.1 Continuous Paper .....	15
3.4.2 Labels .....	17
3.4.3 Punched Hole Label .....	19
3.4.4 Blackmark Paper .....	20
3.5 Operation Panel .....	21
3.5.1 Panel Introduction .....	21
3.5.2 Display Operation .....	24
3.5.3 Indicator Instructions .....	26
3.6 Buzzer .....	26
3.7 Basic Function .....	27
3.7.1 Power On/ Power Off .....	27
3.7.2 FEED Button .....	27
3.7.3 Quick Calibration .....	28
3.7.4 Print Self-test Page .....	29
Chapter 4 Interface .....	30
4.1 USB Interface .....	30
4.2 Ethernet Interface .....	31
Chapter 5 Maintenance & Adjustment .....	32
5.1 Cleaning Media Sensor .....	32
5.2 Cleaning Thermal Print Head .....	32
5.3 Cleaning Roller and/or Paper Path .....	33
Chapter 6 Printer Utility Tool Instructions .....	34
6.1 Installation Preparation .....	34
6.2 Usage .....	34

---

Chapter 7 Seagull Windows Driver Instructions .....	47
7.1 Introduction .....	47
7.2 Installation Preparation .....	47
7.3 Installation .....	47
7.4 Usage .....	53
7.4.1 Printing Preferences .....	53
7.4.2 Printer Properties .....	62
7.5 Removing .....	66

# Changes Record

Rev.	Date	Description
1.0	2020.11.18	--
1.1	2024.03.27	Modify the company name.

## ■ Statement

This manual content may be altered without permission, and our company reserves the rights to make changes without notice in technology, spare parts, hardware and software of the products. If more information is needed about the products, please contact our company. Without any written permission from our company, any section of this manual is prohibited to be copied or transferred in any form.

## ■ Copyright

This manual is printed in 2024, the copyright belongs to Xiamen Hanin Co.,Ltd.  
Printed in China  
1.1 Version

## ■ Warnings



This must be complied with in order to avoid any damage to the human body and the equipment.



This is showing the important information and tips for the printer operation.



**Note: Due to continuous update of our product, the description of printer specification, accessories, design in this manual may be slightly different. Please keep in kind prevail.**

---

# Important Safety Instructions

Before using the appliance, please carefully read the following safety regulations in order to prevent any hazard or material damage.

## 1. Safety warning



Warnings: The print head will become very hot during printing; avoid contact with the print head after printing has finished.



Warnings: Do not touch the printer head and connector in case static damage the printer head.

## 2. Instructions



Warnings: Violating following instructions can cause serious injury or death.

- 1) Do not plug several products in one multiperture outlet.
    - This can provoke over-heating and a fire.
    - If the plug is wet or dirty, dry or wipe it before usage.
    - If the plug does not fit perfectly with the outlet, do not plug in.
    - Be sure to use only standardized multiperture outlet.
  
  - 2) You must use the supplied adapter.
    - It is dangerous to use other adapters.
  
  - 3) Do not pull the cable to unplug.
    - This can damage the cable, which is the origin of a fire or a breakdown of the printer.
  
  - 4) Do not plug in or unplug with your wet hands.
    - You can be electrocuted.
  
  - 5) Do not bend the cable by force or leave it under any heavy object.
    - A damaged cable can cause a fire.
-



**Note: Violating following instructions may cause slight damage of the appliance.**

- 1) If you observe a strange smoke, odour or noise from the printer, unplug it before taking following measures.
    - Switch off the printer and unplug the set from the mains.
    - After the disappearance of the smoke, call your dealer to repair it.
  
  - 2) Install the printer on the stable surface.
    - If the printer falls, it can be broken and you can hurt yourself.
  
  - 3) Use the approved accessories only and do not try to disassemble, repair or remodel it by yourself.
    - Call your dealer when you need these services.
    - Do not touch the blade of auto cutter.
  
  - 4) Do not let water or other foreign objects drop into the printer.
    - If this happened, switch off and unplug the printer before calling your dealer.
  
  - 5) Do not use the printer when it is out of order. This can cause a fire or an electrocution.
    - Switch off and unplug the printer before calling your dealer.
  
  - 6) Other considerations:
    - Place the printer on a solid and even base so that it cannot fall.
    - Leave enough space around printer for operation and maintenance.
    - Keep all liquids away from the printer.
    - Do not expose the printer to high temperatures, direct sunlight or dust.
    - Ensure the printer is connected to a socket with the correct mains voltage.
    - Switch off the printer POWER supply when it's not in use for a long time.
    - To ensure the printing quality and reliability, suggest use the same quality or recommend paper supplier.
    - Pls. switch off the POWER supply when connect/disconnect all the ports or it will cause damage to the printer control circuit.
    - Never carry out maintenance or repair work yourself. Always contact a qualified service Technician.
    - Keep this User Manual in a place which is always easily accessible.
-

### 3. Other Precautions

The copyright for this user manual and various other manuals is property of our company. Any copying or conversion into electronic form and saving of this material without the express written permission is strictly prohibited. Use of the information contained in this manual is not subject to any patent liability. This manual has been prepared with utmost care and attention to detail but may contain certain errors and/or omissions. Our company is not legally liable for any damages resulting from the use of the information in this manual. Our company and its affiliates are not legally liable (United States excluded) for any damages, loss, costs, and/or expenses that result from the breakdown, malfunction, and/or misuse of the product due to violation or neglect of the operation and maintenance information and instructions provided by our company, as well as from the unauthorized alteration, repair, and/or modification of the product by the user and/or third party. We are not legally liable for any damages and/or issues resulting from the use of options and/or parts that are not authentic or authorized products.

### 4. WEEE (Waste Electrical and Electric Equipment)



This mark shown on the product or its literature indicates that the corresponding item should not be discarded at the end of its working life with other household waste. To prevent possible harm to the environment or human health from uncontrolled waste disposal, please separate marked items from other types of waste and recycle them responsibly to promote the sustained reuse of material resources. Household users should contact either the retailer where they purchased this product, or their local government office for details of where and how they can conduct environmentally safe recycling of such items. Commercial users should contact their suppliers and check the terms and conditions of purchase contracts. This product should not be combined with other commercial waste for disposal.



**Caution: This is a Class A product. In a domestic environment this product may cause radio interference in which the user may be required to take adequate measures.**

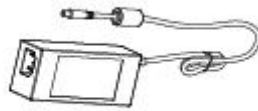
# Chapter 1 Introduction

## 1.1 Packing List

1. Unpack the printer and keep the packing material in case you need to ship the printer in the future.
2. Any damages exist, please contact the local dealer.



Printer



AC Adapter



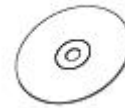
Power Cord



USB Cable



Label Roll



CD



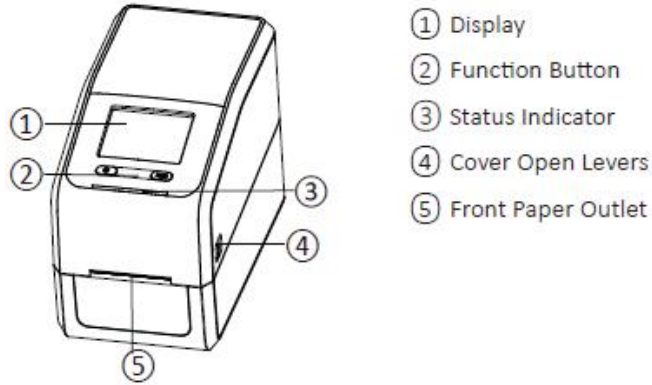
Quick Start Guide



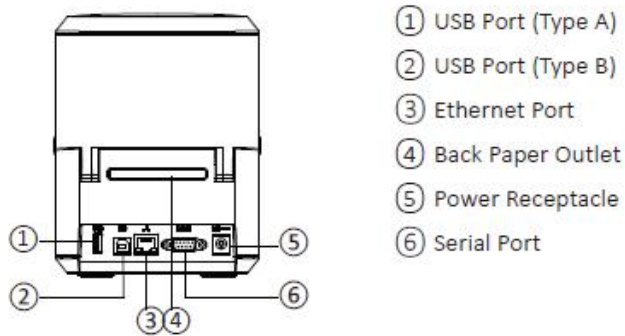
**Note:** The packing materials are based on the order.

## 1.2 Appearance and Components

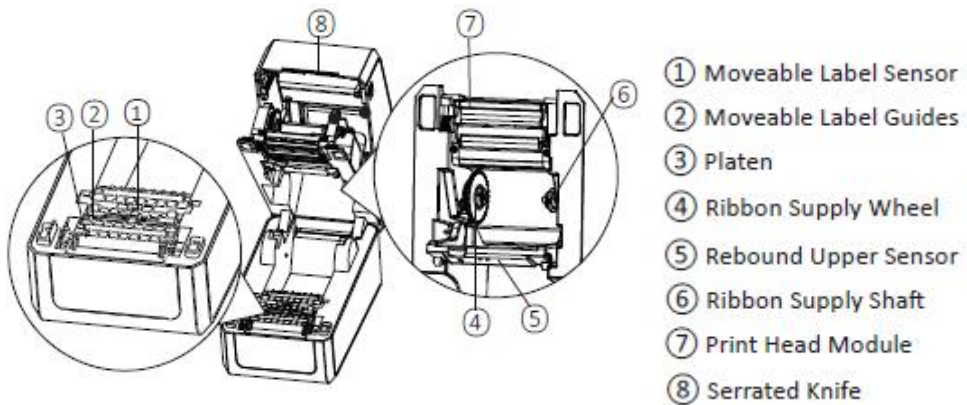
### ■Front View



### ■Rear View



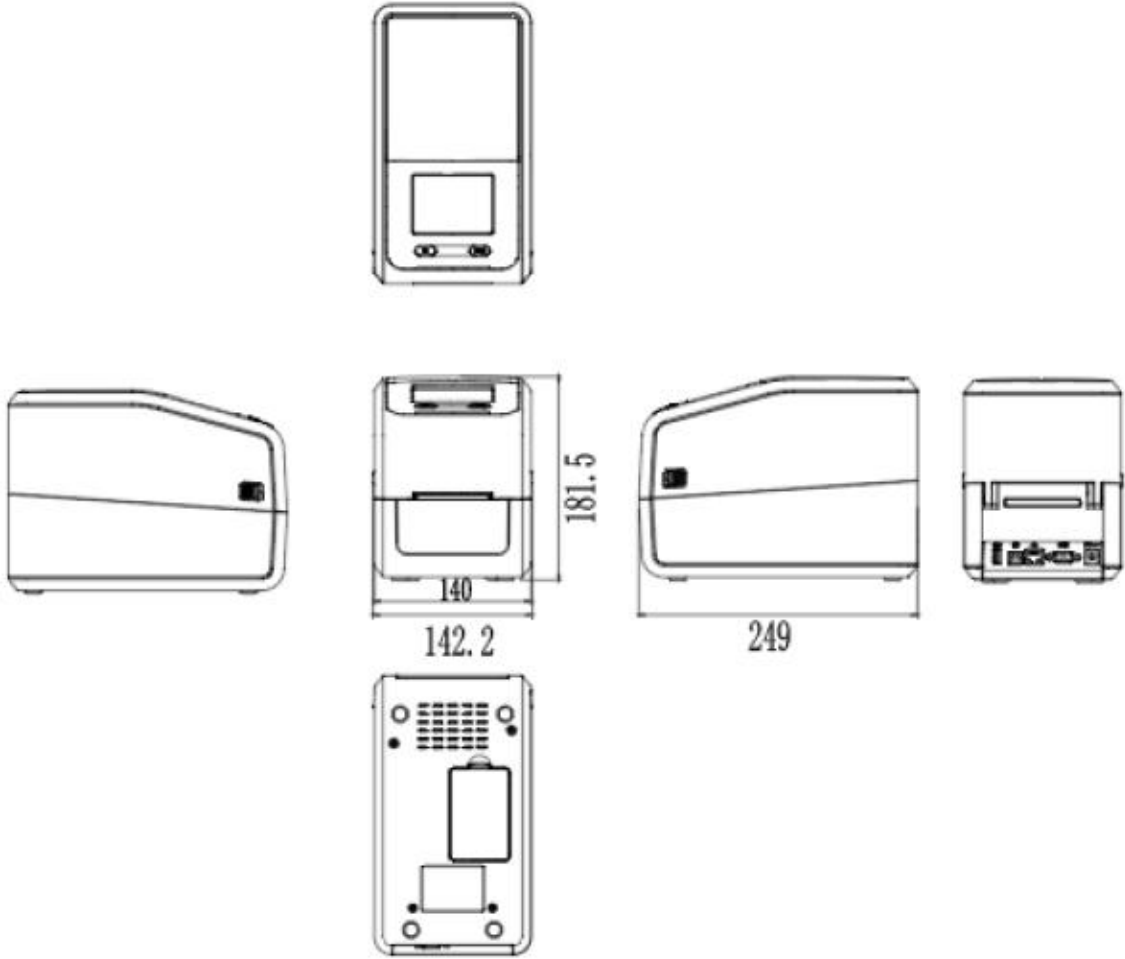
### ■Inside View



Note: The views above are for your reference. Ports vary by your choice.

### 1.3 Dimension

Take printer iE2P as example.



Unit: mm

## Chapter 2 Specifications

(2/1)

Item		Parameter
<b>Printing</b>	Printing Method	Direct thermal
	Resolution	STD 203dpi, OPT 300dpi
	Max. Printing Speed	8 ips203dpi/6 ips300dpi
	Max. Printing Width	54 mm(203dpi),56.9 mm(300dpi)
	Max. Printing Length	2,286mm(203dpi),1,524mm(300dpi)
<b>Memory</b>	RAM	32MB
	Flash	16MB
<b>Programming Language</b>		ZPL-II,EPL-II,DPL
<b>Sensor</b>	Gap Detection	2 intermediate transmissive detection
	Black Mark Detection	1 reflective detection, full move
	Other Detection	Paper out detect, cover open detection, thermal head over heating detect
<b>Media</b>	Types	Continuous paper, gap label, black mark label, punched hole label
	Width	20-60mm, include the liner
	Thickness	0.002"(60um)-0.01"(250um)
	Label Roll Diameter	5"(127mm) Max
<b>Software</b>	Driver	Windows 7,8,10, Server 2008,2012 Linux and MAC OS
<b>Fonts</b>	Resident Fonts	Alphanumeric, Simplified Chinese, Traditional Chinese, 29 international character sets
	User defined Fonts	Support

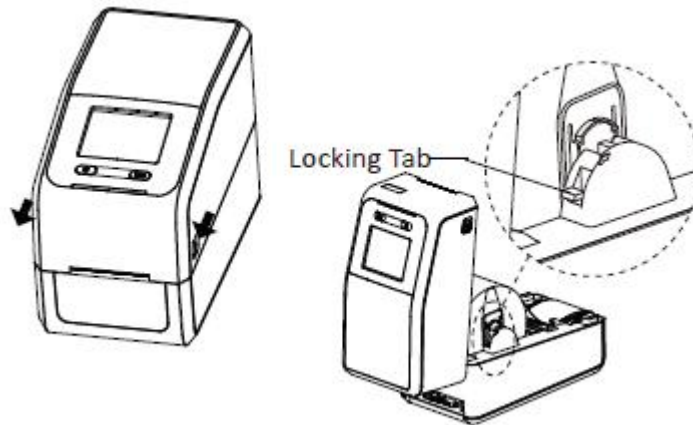
Item		Parameter
<b>Barcodes</b>	1D	Code 39, Code 93, EAN 8/13 (add on 2 & 5), UPC A/E (add on 2 & 5), I 2 of 5, Codabar, Code 128 (subset A, B, C), UCC/EAN 128, MSI, Plessey, Telepen, GS1 DataBar, Standard 2 of 5, Industrial 2 of 5, Code 11, Code 49, POSTNET, ITF14, HIBC, FIM, German Post Code, Planet 11&13, Japanese Postnet, Interleaved 2 of 5, Logmars, Code 11
	2D	Code 49, Codablock, PDF417, Data matrix code, Maxicode, QR code, Micro PDF417, Aztec code
<b>Interfaces</b>	Standard	USB Type-B
	Optional	Wi-Fi, Bluetooth
<b>Control Panel</b>		Power switch button, FEED button
<b>LCD Display</b>		None
<b>RTC Function</b>		None
<b>Power Supply</b>		AC 100V-240V/DC, 24V/2.5A
<b>Environment</b>	Operation	5 to 50°C @ humidity 25% to 85% non-condensing
	Storage	-40 to 60°C @ humidity 10% to 90% non-condensing
<b>Physical</b>	Dimension	249*142.2*181.5mm (L*H*W)
<b>Characteristic</b>	Weight	About 1.5 kg
<b>Options &amp; Accessory</b>		Cutter Module, External Label Roll Holder
<b>Agency Approval</b>		CE EMC (EN 55022 Class B), FCC EMC (Class A), CCC, RoHS

## Chapter 3 Installation & Usage

### 3.1 Media Loading

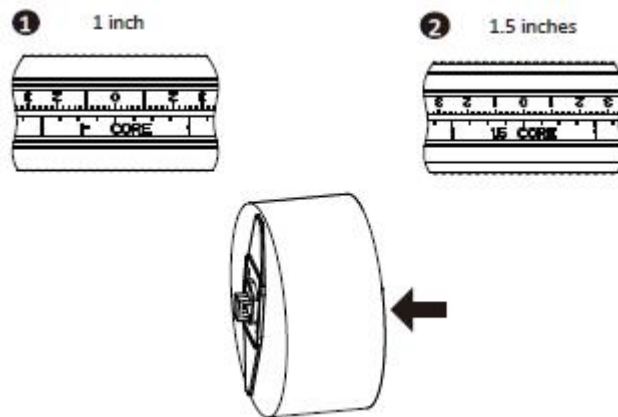
#### 3.1.1 Loading the Roll

1. Pull and lift the cover.



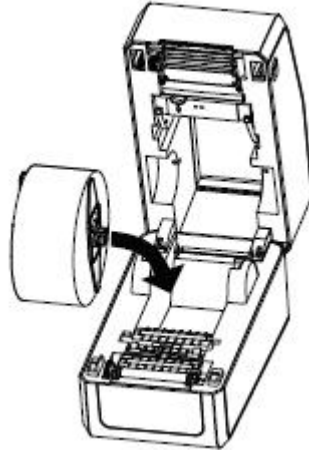
**Note:** After lifting the top cover, the locking tab will hold the top cover to prevent the top from falling and hurting hands.

2. Put the paper roll into the axis according to the inner diameter of the paper roll.

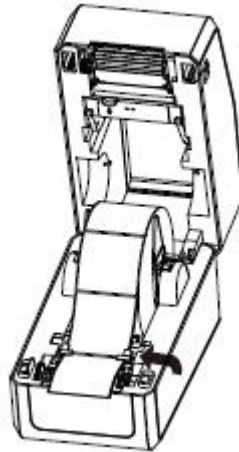


**Note:** When using 1-inch paper roll, the font of "1 CORE" should be upward; when using 1.5-inch paper roll, the axis should be turned 180 degrees and the font of "1.5 CORE" should be upward.

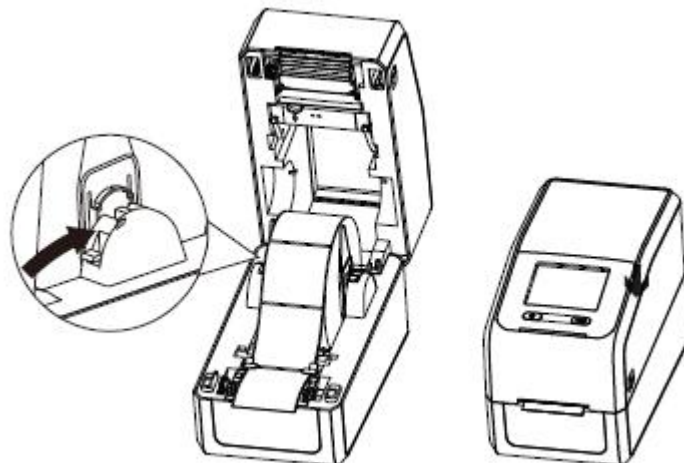
3. Place the roll into the printer.



4. Pass the label through the label guides, then adjust guides to adapt to the label width.

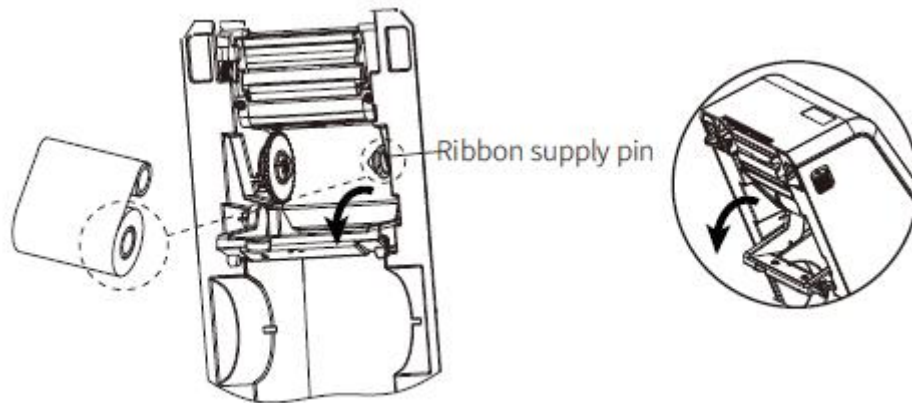


5. Press the cover lock and close the cover slightly.



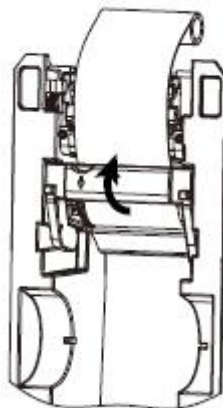
### 3.1.2 Loading the Ribbon

1. Insert the right part of supply spindle, then the left part.

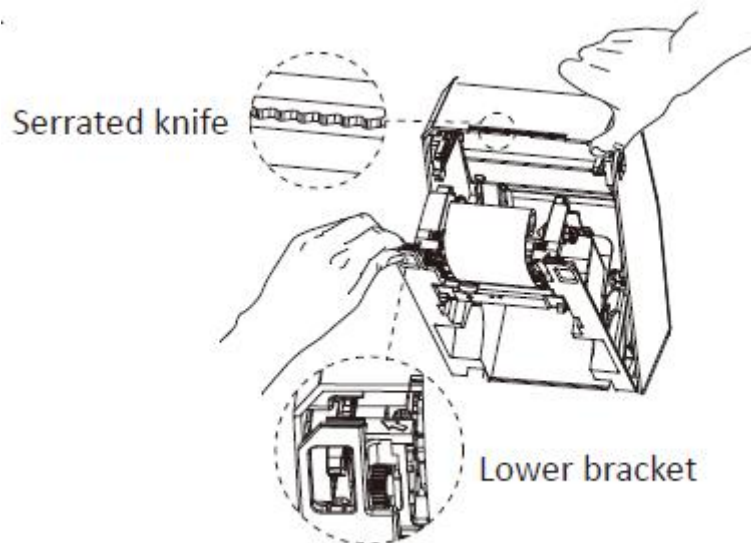


**Note:** Please follow the figure above to ensure that the ribbon is loaded in the right direction. When the ribbon is installed, the smooth face should be toward the print head and the fog face should be toward the platen.

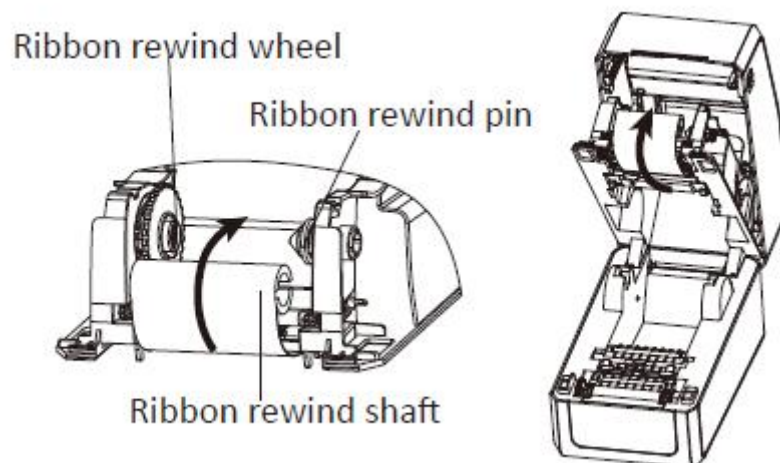
2. Loosen the upper sensor bracket and put it back after the ribbon supply part is installed.



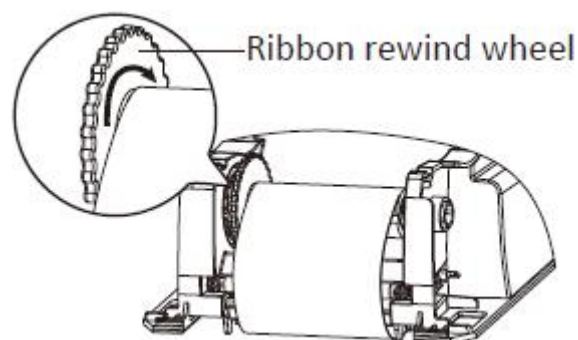
3. Hold the handle of the lower bracket and push the top cover upward.



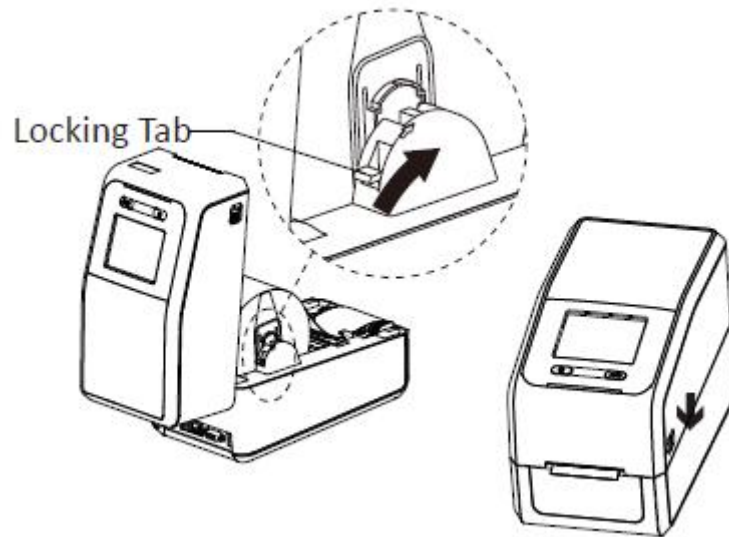
4. Ring the ribbon up. Then embed the right side of the ribbon rewind shaft in the ribbon rewind pin, and embed the left side of the ribbon rewind shaft in the ribbon rewind wheel.



5. Rotate the ribbon rewind wheel until ribbon is pulled rightly.

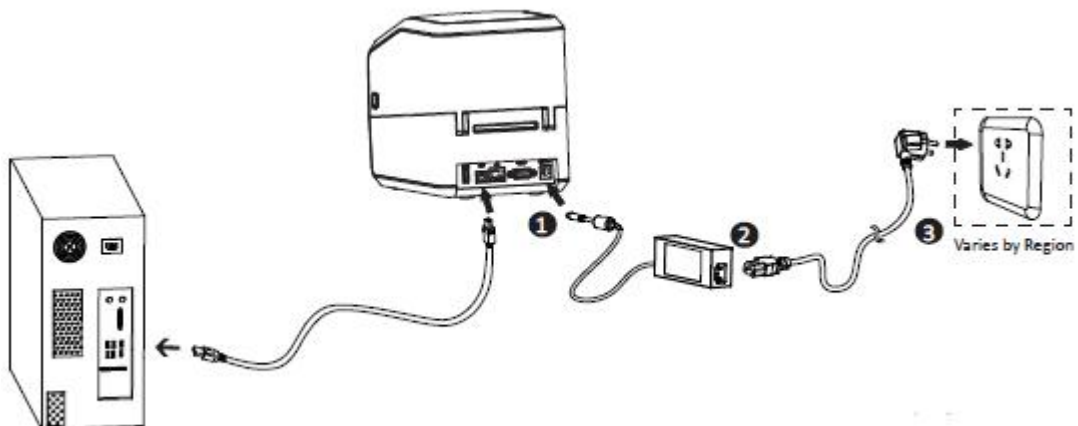


6. Press the cover lock and close the cover slightly.



### 3.2 Power Connection

1. Connect the AC adapter to power receptacle.
2. Connect the power cord to AC adapter.
3. Connect the other end of power cord to the outlet.



**Caution:**

- Use the original power adapter only. Avoid the damage caused by charging improperly.
- Please unplug the printer power cord if it is not in use for a long time.

## **3.3 Peripherals Connection**

### **3.3.1 Interface Cable Connection**

1.The standard for the printer's interface cable shows as follows:

- USB A-Type cable
- USB B-Type cable
- RS-232C cable
- RJ45 cable

2.Based on your own need, follow the instructions to connect the cable.

- 1) Make sure the printer's power is off.
- 2) Please plug in the cables.
  - Insert the USB A-Type cable into the USB (type A) interface.
  - Insert the USB B-Type cable into the USB (type B) interface.
  - Insert the RS-232C cable into the serial interface.
  - Insert the RJ45 cable into the ethernet interface.

### **3.3.2 Bluetooth Connection**

PDA with Bluetooth interface, laptop and other information terminals can drive the printer. Instructions show as follows:

1. Power on the printer.
2. Primary device searches for outer Bluetooth devices.
3. If there are other Bluetooth devices, select printer's name.
4. Finish pairing.

If you need more detailed information of pairing methods, please refer to the instructions of Bluetooth device.

After pairing, primary devices with virtual Bluetooth interface (smart phone, tablet, pocket PC, palm, notebook) can drive the printer to print labels through virtual Bluetooth interface.



**Note: The original code is 0000.**

### **3.4 Detection**

When printing paper, the moveable label sensor is used to detect paper. The label sensor moves differently when using various kinds of paper. If user moves the sensor improperly, paper may not be detected, therefore the printer could not print paper. The following instructions tell users how to use label sensor correctly. Please read it carefully.

#### **3.4.1 Continuous Paper**

When printing continuous paper (Figure 1), the sensor shall be aimed at the triangle below (Figure 2), which is the original position.

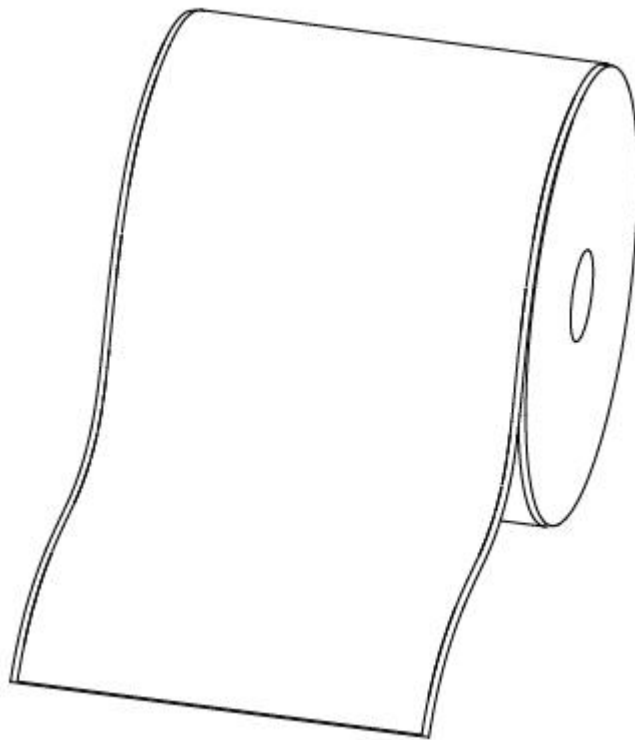


Figure 1 (Continuous Paper)

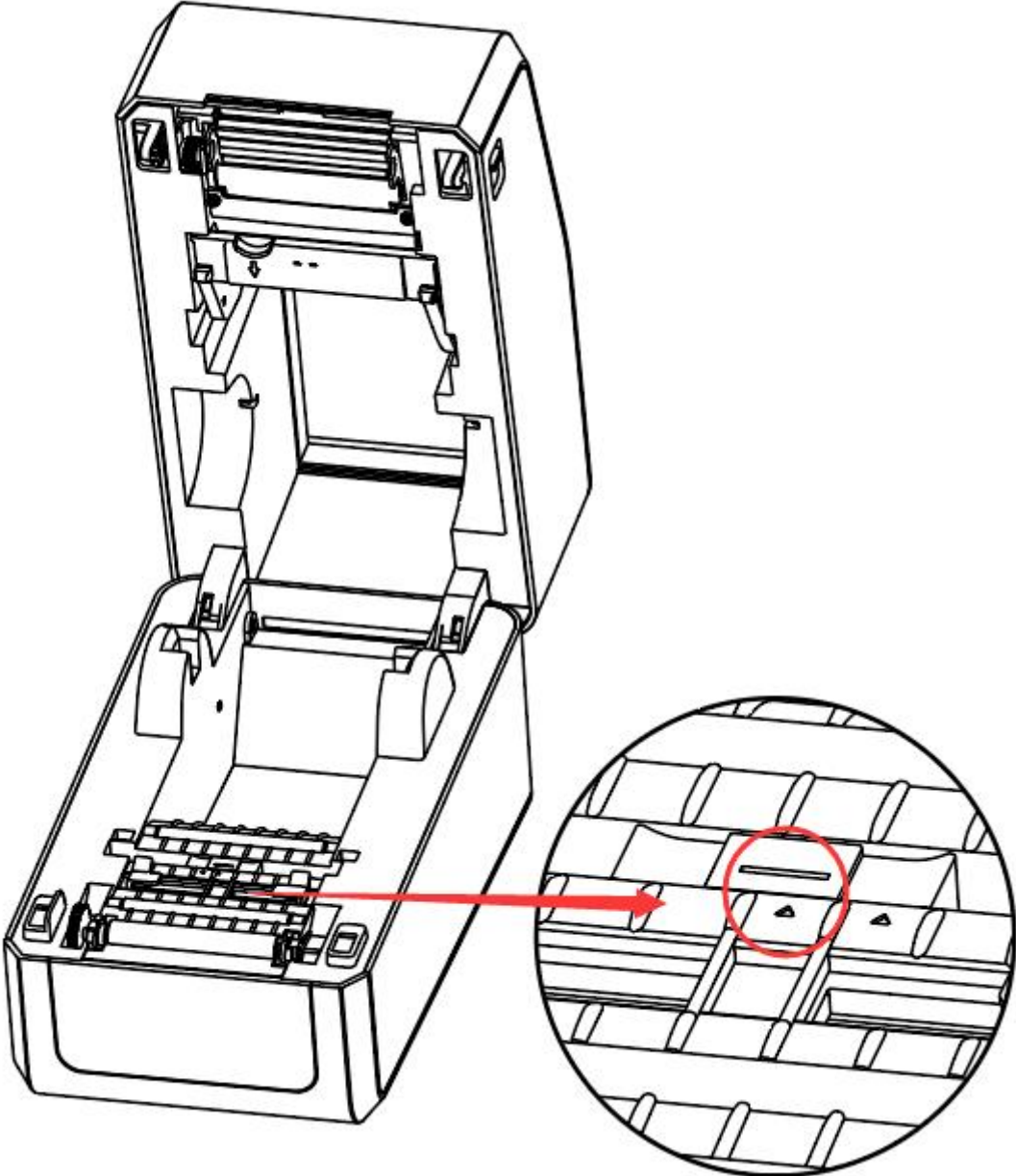


Figure 2

### 3.4.2 Labels

When printing labels (Figure 3) or double-row labels (Figure 4), the sensor shall be aimed at the triangle below (Figure 5), which is the original position.

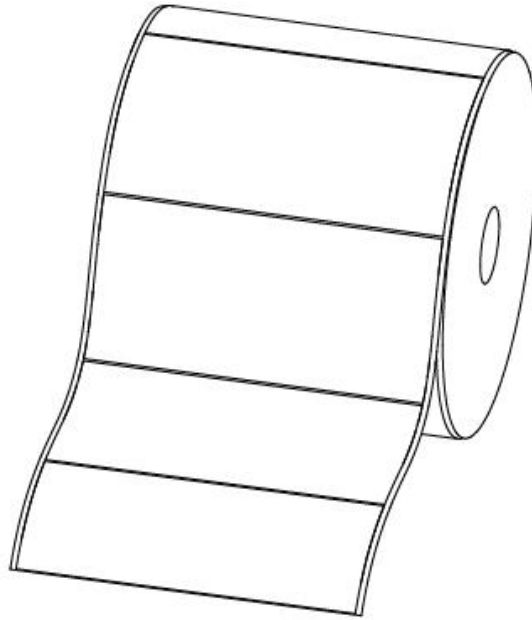


Figure 3 (Labels)

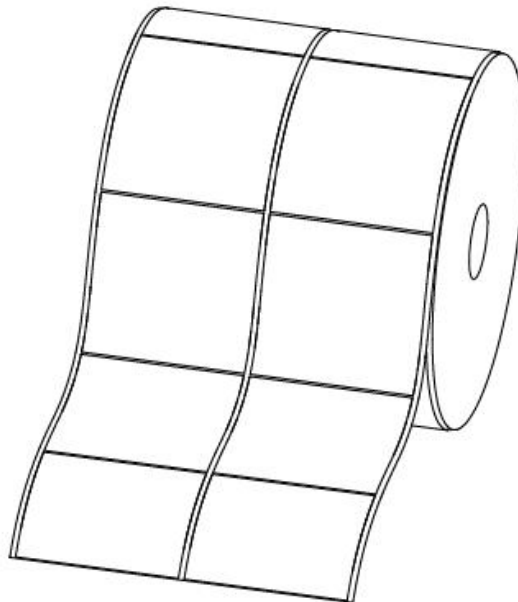


Figure 4 (Double-row Labels)

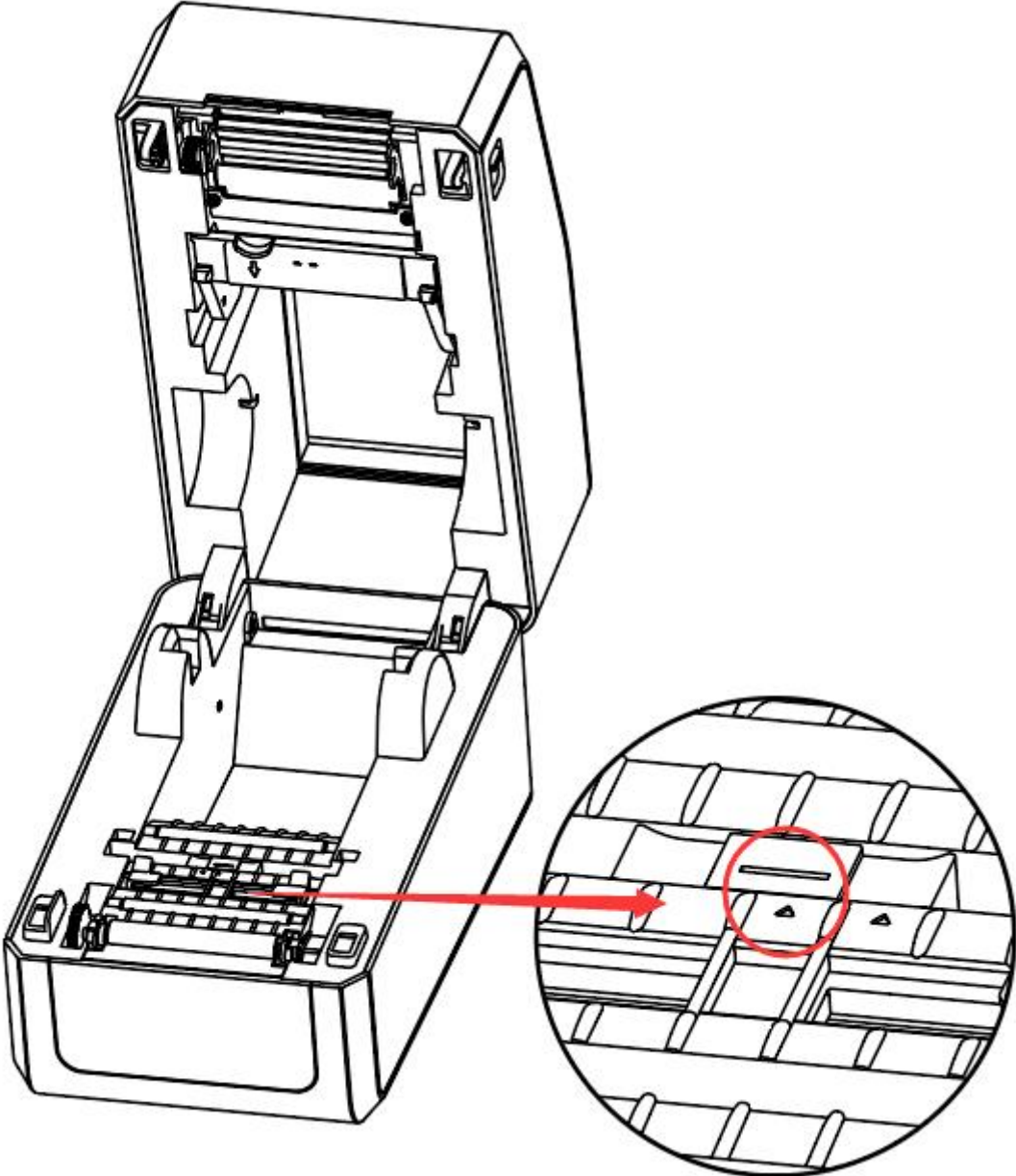


Figure 5

### 3.4.3 Punched Hole Label

When printing punched hole labels, move the sensor until it's aimed at the triangle below (Figure 6).

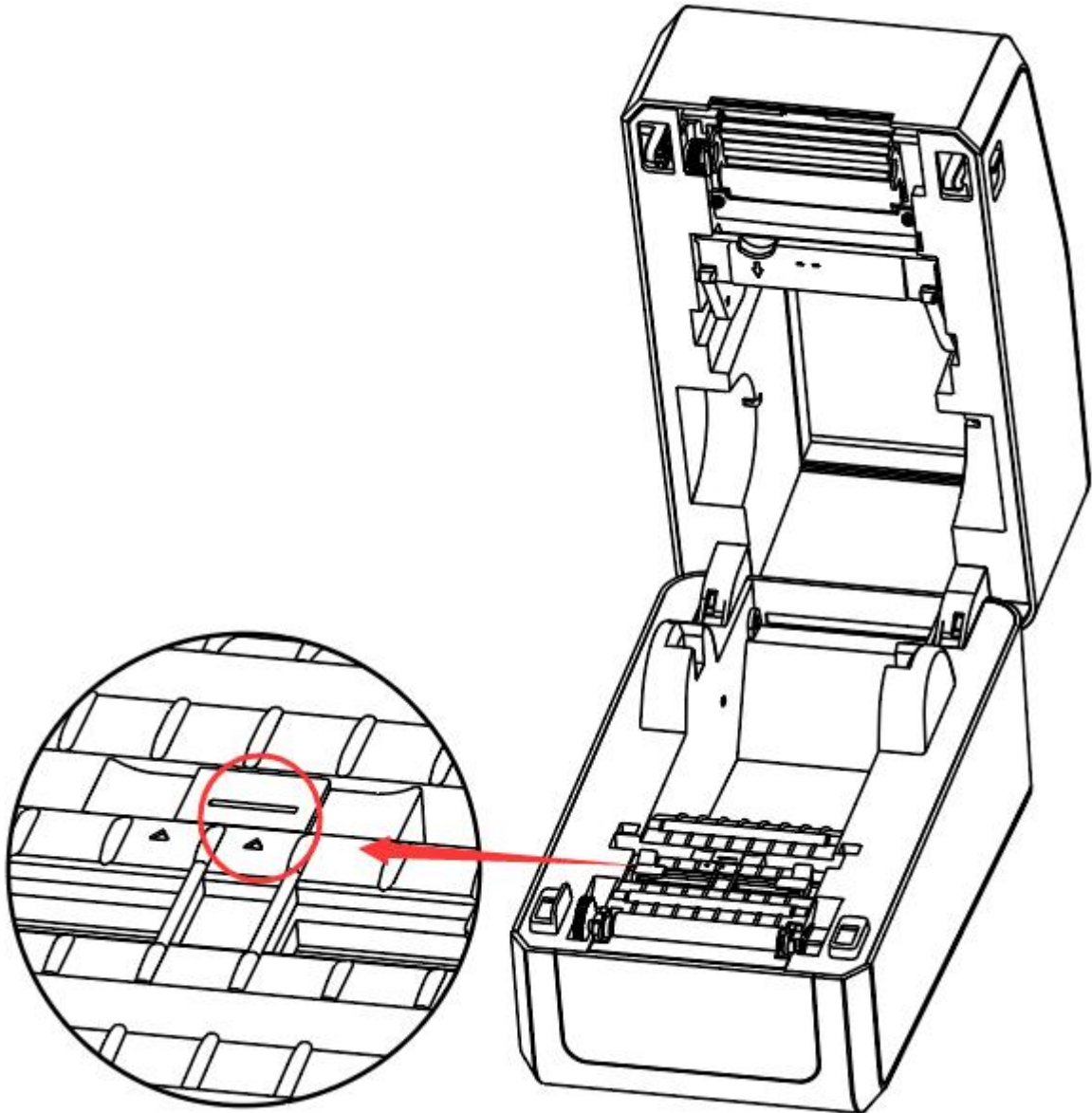


Figure 6

### 3.4.4 Blackmark Paper

When printing blackmark paper (Figure 7), the sensor shall be aimed at the position of black mark (Figure 8).

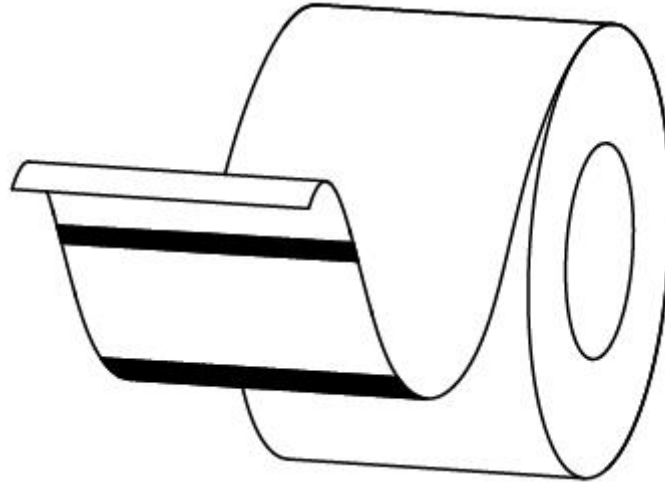


Figure 7 (Blackmark Paper)

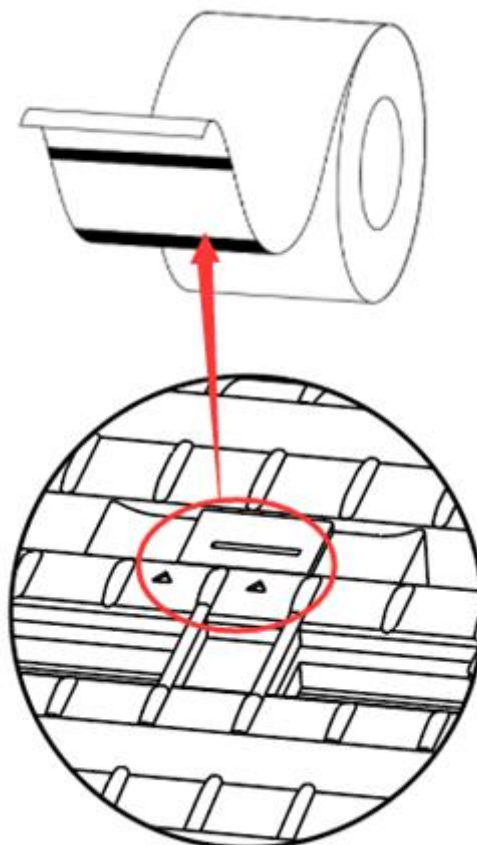


Figure 8 (aimed at blackmark's position)

## 3.5 Operation Panel

### 3.5.1 Panel Introduction

The panel indicates the printer's operating status and allows the user to control basic printer operation.

#### 1.Power Button

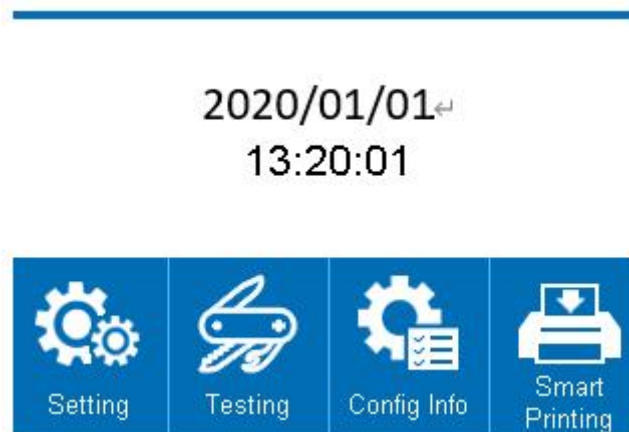


Much more detailed information is provided in "3.7.1 Power On/ Power Off".

#### 2.Feed Button



#### 3.Directiona Pad



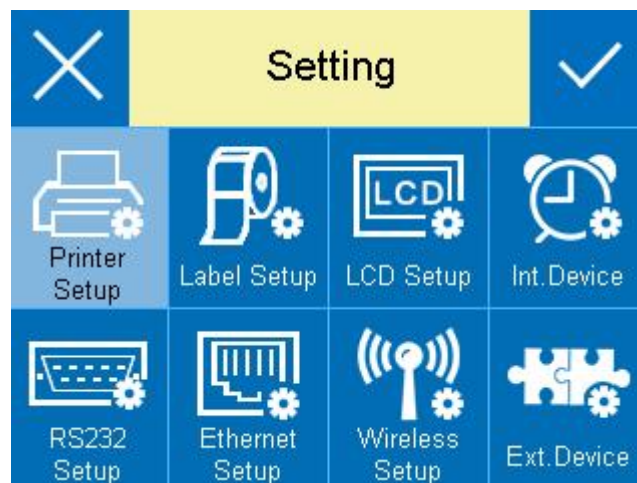
- 1) When the printer power on, the idle display will appear.
- 2) It contains printer's name, version number of the firmware, time and menu.

2020/01/01 ←  
13:20:01





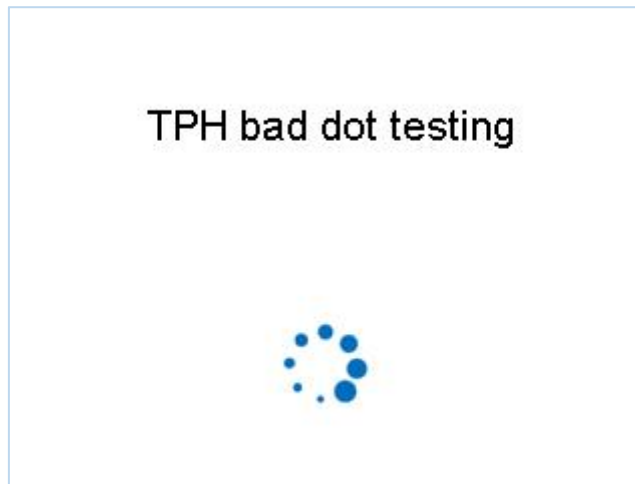
Home Menu Display

3) User can operate the printer by display in home menu.



Sub-menu Display

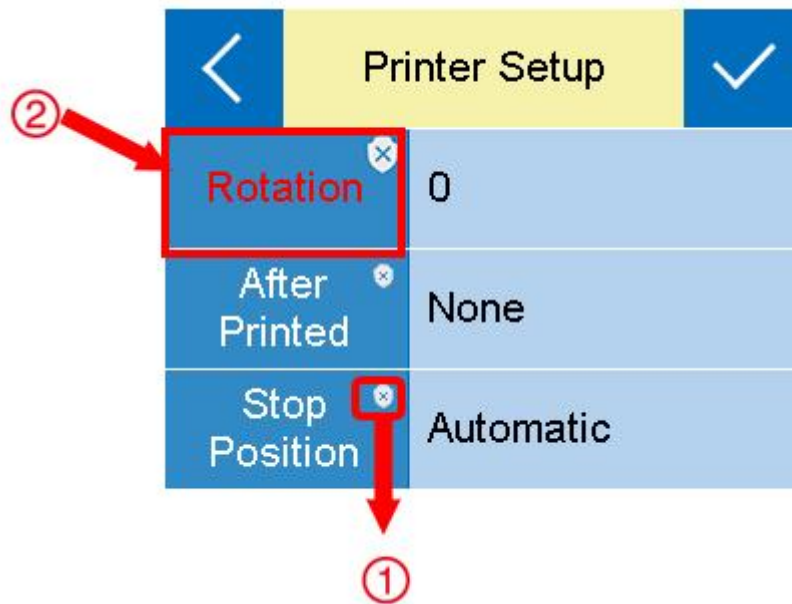
4) User can switch this function by  or .



Operating Display

5) When operating display appears, it means that printer is carrying the command that user has sent. After finishing the task, printer will return to the sub-menu display.

 **Note:**



① The item with red frame: When the item is white, the relevant values could be changed both by display operation and software instructions. When the item turns yellow, the relevant values have been protected and can only be changed by display operation.

② User can change the item into another status by clicking the corresponding value.

### 3.5.2 Display Operation

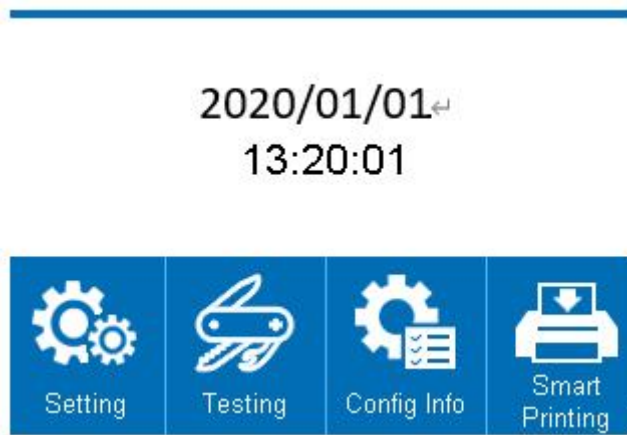


Note:

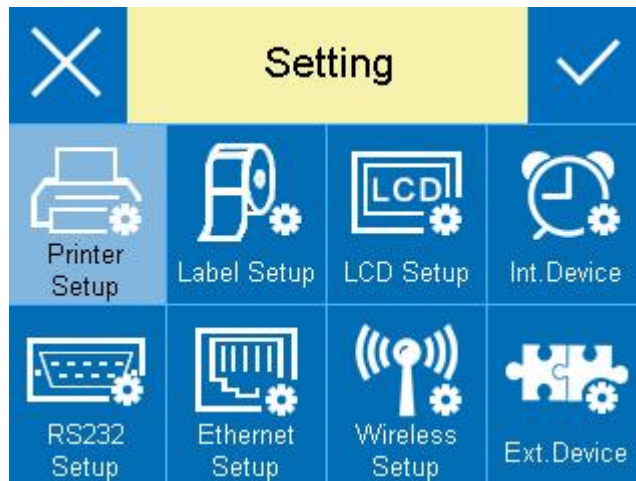
- The display operation of printer is controlled by directional pad.
- The highlighted item represents that user has chosen the item needed.

In the following instructions, the example will be taken to show user how to operate the printer. Changing the speed of the printer:

- 1) Press the power button to open the printer’s power.
- 2) Enter the home menu.



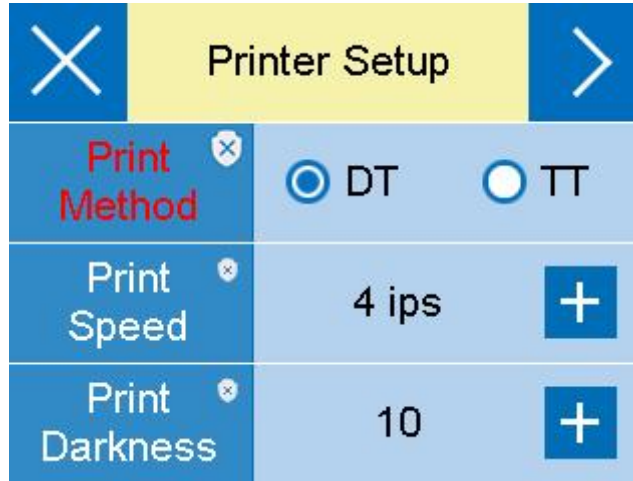
- 3) Enter the setting menu, then choose the “Printer Setup” item.



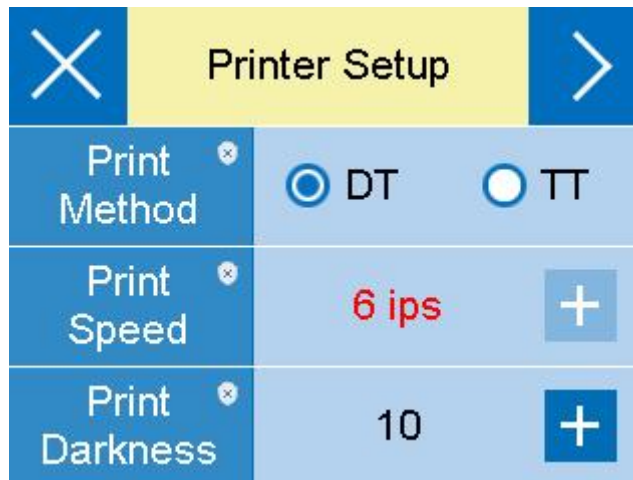
4) Users can click on settings such as print mode, print speed and print concentration as needed;



Click to enter other settings options



5) Click to save the settings above.



**Note:**

- For more information about the display menu, please refer to the appendix.
- The above illustration is for reference only, the display interface is based on real operation.
- Set individual items have password locking function, once the password lock function must be entered in the correct password to enter the system settings. For the locked setup item, the printer automatically excludes the corresponding setup instructions from the print task.

### 3.5.3 Indicator Instructions

Color	Indicating Status
None	The printer is off
Green	Printing
Blue	Standby
Green Slow flash	Manual operation/ (FEED button/ paper fetching detection) print
Green Quick flash	Receiving data
Orange	Ribbon out
Orange Slow flash	Pause print
Orange Quick flash	Program downloading and updating
Red	Cover open/paper out
Red Slow flash	Label format does not match
Red Quick flash	Paper jam/label's separation



**Note:**

**Quick flash → 0.2 second / every cycle**

**Slow flash → 1 second / every cycle**

### 3.6 Buzzer

1. Silence: not set / normal
2. Beep 0.2 seconds: button response / touch response
3. Beep 1.5 seconds and stop 2 seconds: during printing, run out of paper / label off / paper jam

## 3.7 Basic Function

### 3.7.1 Power On/ Power Off

- When the printer is off, press the power button once, and the printer will be on.
- When the printer is on, hold press the power button, and the printer will be off.

### 3.7.2 FEED Button

- In ready state:
  - a) Short press (0.1-0.5s) to print a blank label (gap mark/ black mark label); continuous paper is fixed for 30mm;
  - b) Press and hold for approx. 2s, release the feed button after the light goes out for 1 time, the printer will print the self-test page;
  - c) Press and hold for approx. 3s, release the feed button after the light goes out for 2 times, the printer will enter the automatic label learning;
  - d) Press and hold for approx. 5s, release the feed button after the light goes out for 4 times, the printer will be automatically restoring the factory settings and restarts.
- Printer is printing: Short press to pause printing.
- Printer pause: Press the feed button to continue printing.
- Dumping mode: Short press the feed button to back to normal print mode.
- Green light slow flash: Short press the feed button to print one sheet.
- Red light slow flash: Short press to print a blank label (seam mark/ black mark label), continuous paper is fixed for 30mm.
- In ready state: Short press the feed button, printer will print one sheet.



**Note:**

**Short press: 0.3 seconds to 1 second;**

**Press and hold: More than 3 seconds.**

---

### 3.7.3 Quick Calibration

**Users must carry out the calibration under the conditions below:**

- The first time to use the printer since installation;
- The first time to use the printer since sensor cleaning;
- Reuse the printer when it has not been used for a long time;
- Change a new type of media;
- Printer cannot recognize the mark;
- Huge change of the operating environment;

**Calibration method:**

- Carry out the calibration manually.

When printer is ready, press the FEED button for 3 seconds until the status indicator (Green) flashes twice. Then release the button, and printer will start to do the calibration. When printer does the calibration under Continuous Media Mode, the calibration is invalid.

- Carry out the calibration by printer utility tool.

Please refer to detailed information in “Chapter 6 Printer Utility Tool Instructions”.



**Note:**

**After the quick calibration, users could open the printer cover to pull back the learned paper in avoid of paper wasting.**

### **3.7.4 Print Self-test Page**

The self-test checks the printer's current settings, status and whether the printer has any problems or not.

#### **1.Printing Manually**

- 1) Make sure the roll is loaded properly.
- 2) Make sure the top cover of the printer is closed properly. Then turn on the printer.
- 3) When the printer is ready, press the feed button continuously. As soon as the indicator flashes (green) once, loosen the button. Then the printer starts to print the self-test page.

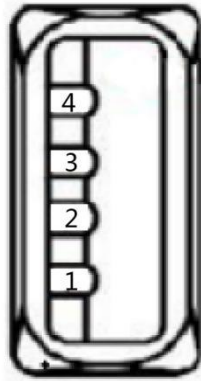
#### **2.Printing by Windows Driver Program**

- 1) Install the Windows Driver program.
- 2) Set the "Interface" as the type you use.
- 3) Use the Windows Driver Program to print out the "Self-test page".
- 4) Please refer to "Chapter 7 Seagull Windows Driver Instructions" for more detailed information.

# Chapter 4 Interface

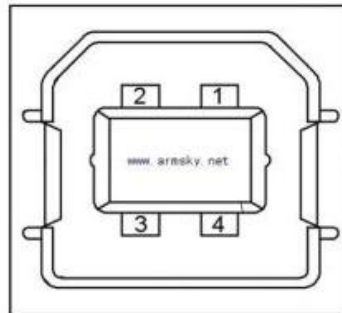
## 4.1 USB Interface

### 1.USB (Type A)



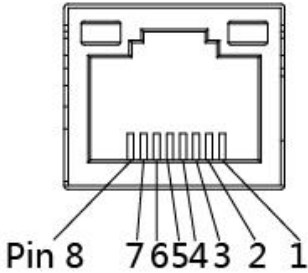
PIN	SIGNAL NAME
1	VBUS
2	D-
3	D+
4	GND

### 2.USB (Type B)



PIN	SIGNAL NAME
1	VBUS
2	D-
3	D+
4	GND

### 4.2 Ethernet Interface



PIN	SIGNAL NAME
1	TX+
2	TX-
3	RX+
4	-
5	-
6	RX-
7	-
8	-

## Chapter 5 Maintenance & Adjustment

Adhesives and coatings of the media can transfer to the printer parts over time along the media path including the thermal print head and media sensor. This build-up can accumulate dust and debris. Failure to clean the print head, media path, and media sensor could result in inadvertent loss of labels, label jams and possible damage to the printer.

**Note:**

- 1) Make sure to turn off the printer prior to cleaning.
- 2) As the print head gets hot during printing, if intending to clean the print head, turn the printer off and wait approximately 2~3 minute before commencement.
- 3) When cleaning the print head, take care not to touch the heated portion of the print head. Print Head is susceptible to damage from static electricity, etc. So it is strongly recommended to wear hand gloves during cleaning progress.
- 4) Take care not to allow the print head become scratched and/or damaged in any way.

### 5.1 Cleaning Media Sensor

Debris or dirt on the paper sensor can cause a miss-read or unstable detection of the label gap. Clean with a cotton bud dampened with alcohol.

### 5.2 Cleaning Thermal Print Head

Thermal Paper stock on the print head, which degrades print quality. Clean the print head with methanol or isopropyl alcohol and a cotton bud. Do not touch the heating elements with your fingers.

- 1) Open the Printer Cover and then use the cleaning pen to clean the head in the direction from the center of the head to two sides.
- 2) After cleaning the head, do not use the printer until the alcohol used for cleaning evaporates completely (1~2 min) and the printer has completely dried.
- 3) Perform the cleaning process each time the paper roll is replaced to prevent print quality deterioration.

### 5.3 Cleaning Roller and/or Paper Path

- 1) Open the printer cover and then remove the paper.
- 2) Remove any dust or foreign substance using dry cloth or cotton swab.
- 3) Soak the cloth or cotton swab in alcohol for medical use and use it to remove adhesive foreign substances or other pollution materials.
- 4) After cleaning the parts, do not use the printer until the alcohol evaporates completely (1~2 min) and the printer has completely dried



**Note: Clean the parts when print's quality or label detection degrades.**

# Chapter 6 Printer Utility Tool Instructions

## 6.1 Installation Preparation

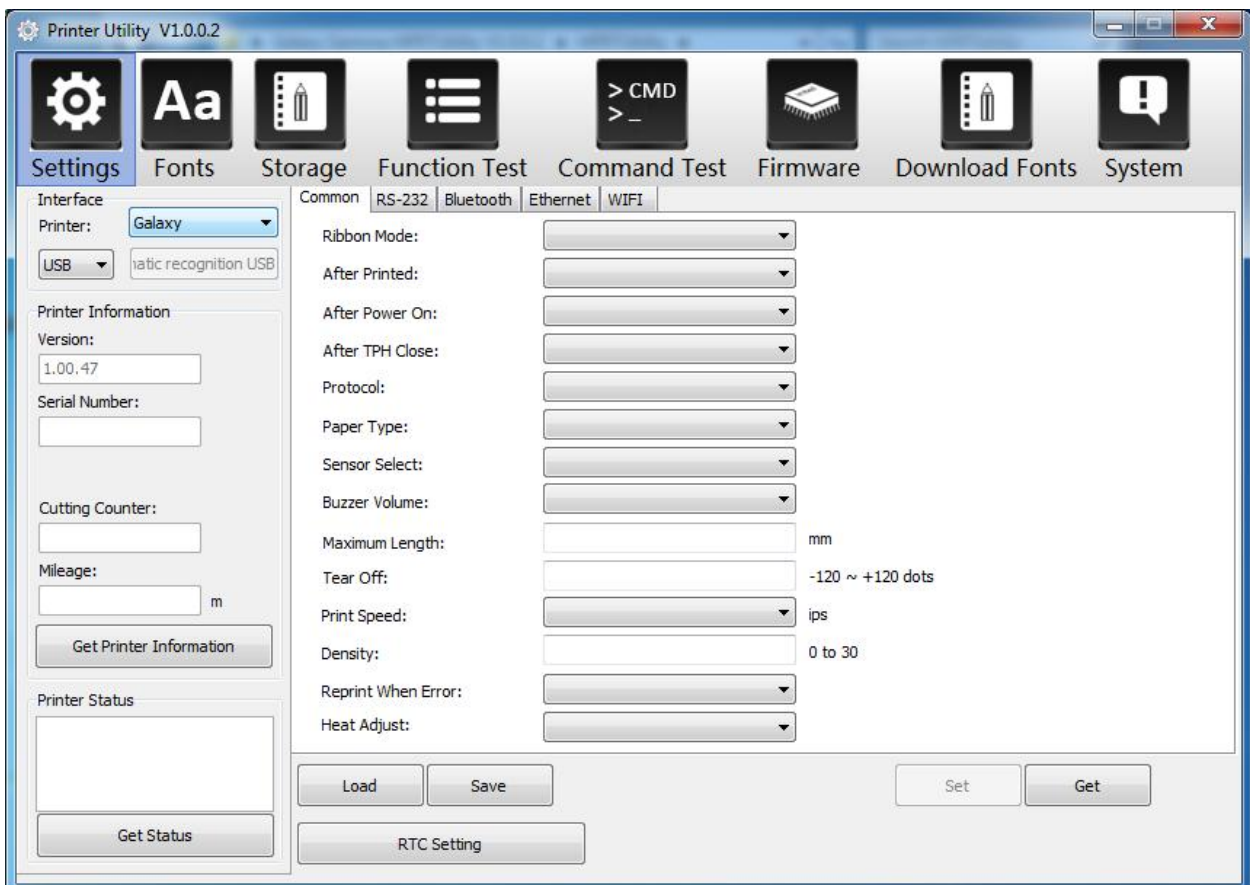
Download application program in CD. e.g. HPRTUtility.exe

## 6.2 Usage

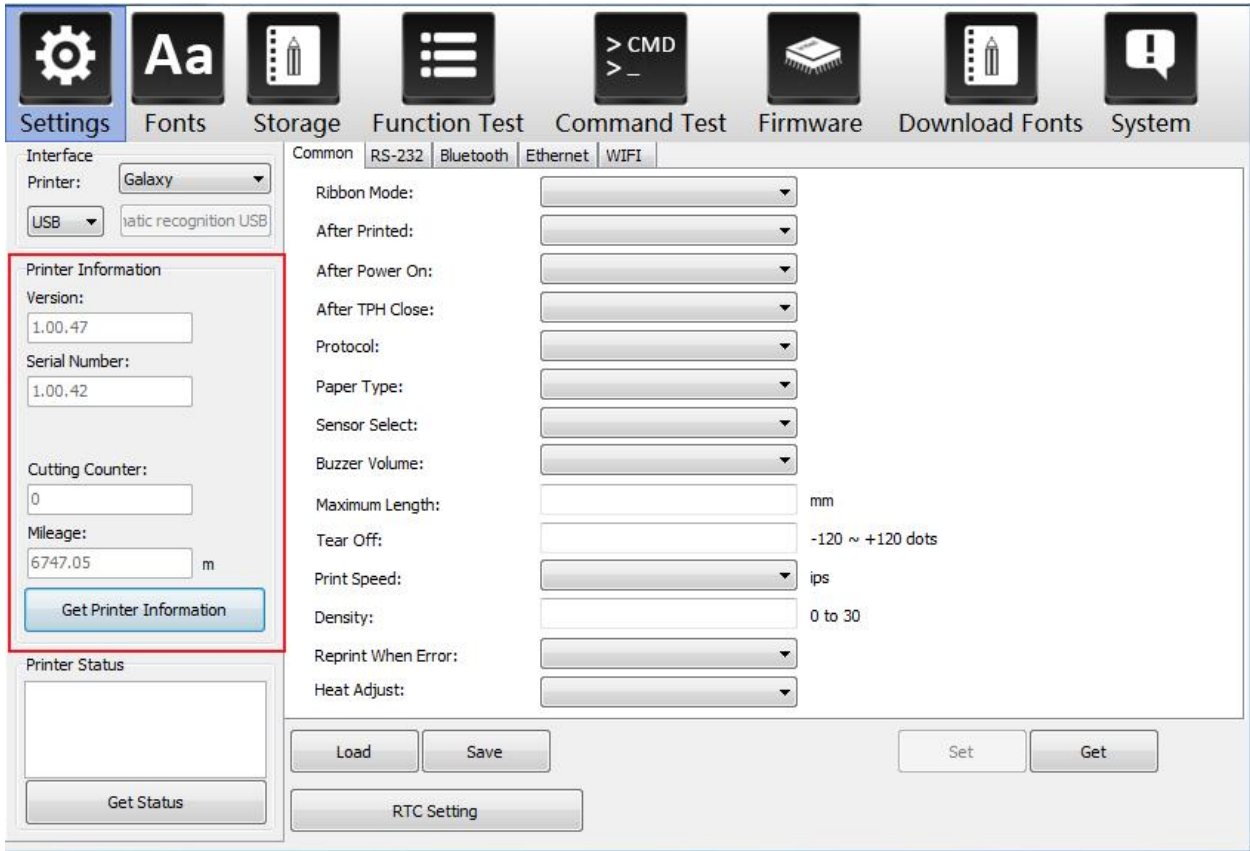


**Note:** The screen may vary slightly by different operating systems and models. Take printer Galaxy as example.

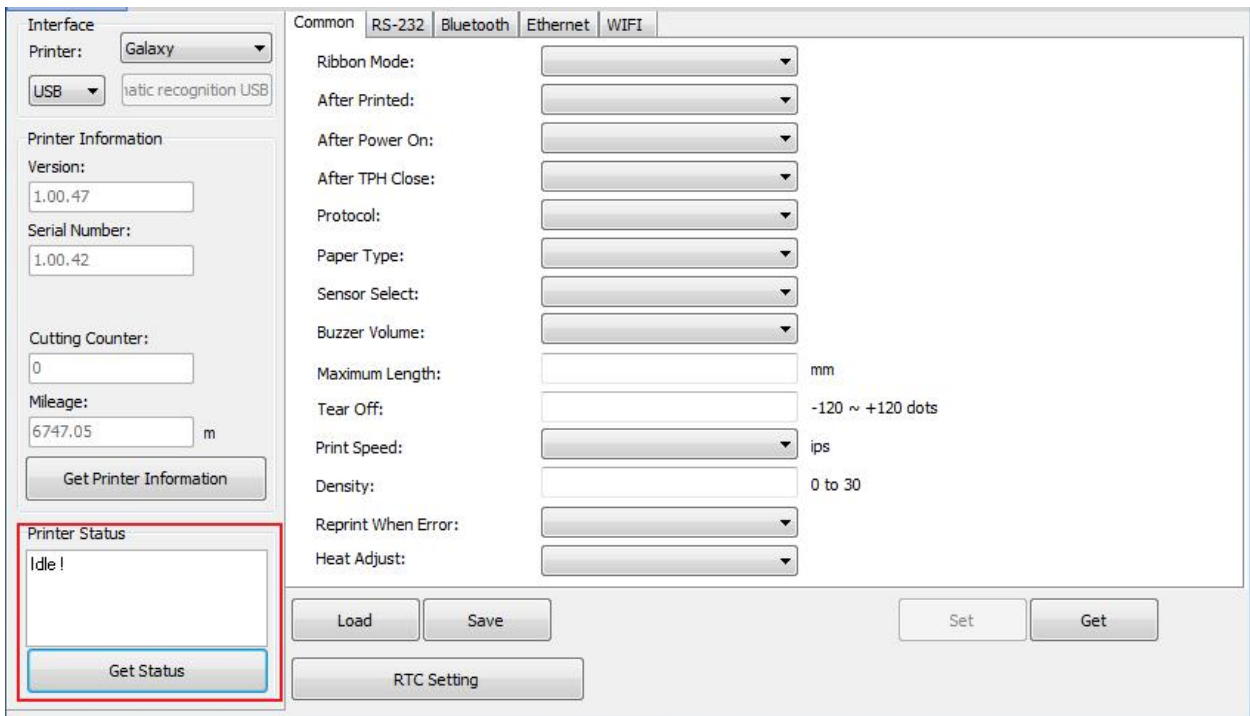
1. Install “HPRTUtility.exe”, then open it.
2. Click “Settings”, choose the printer model.
- (1) Set up the interface needed. (range: USB, COM, ETH)



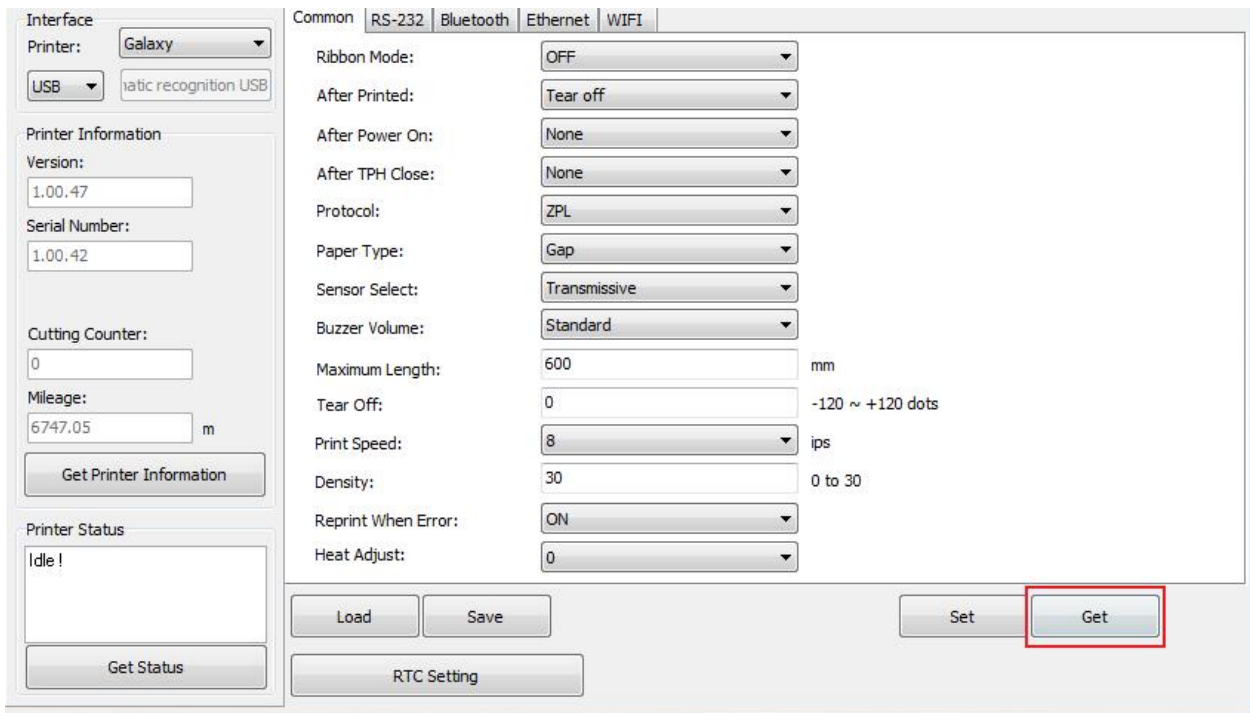
(2) Click “Get Printer Information”, and printer information will show in the above.



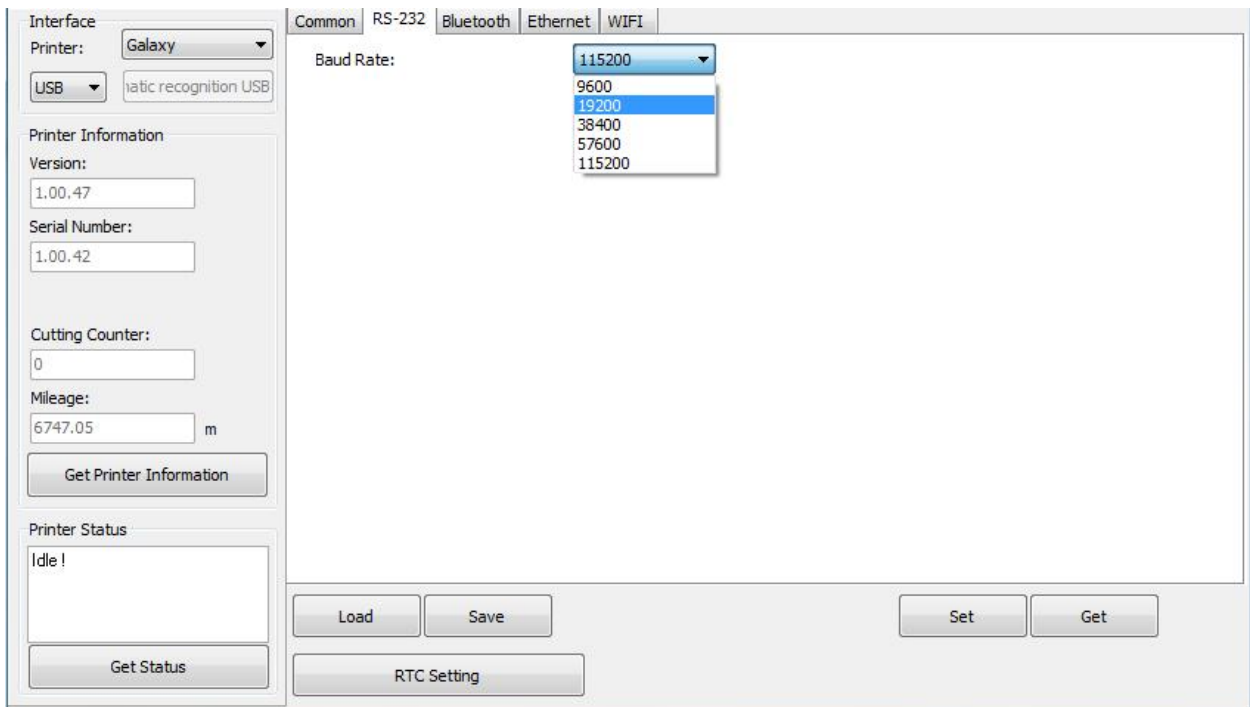
(3) Click “Get Status”, and printer status will show in the above.



(4) Choose “Common” and click “Get”. In this menu, user can get the information of the protocol, media sensor, speed, density and so on.



(5) Click “RS-232”, then set up the baud rate, data bits, parity and flow control.



(6) Click “Bluetooth”, then set up the Bluetooth name and password. Click “Get” to gain the values of Mac address.

The screenshot shows the HPRT Galaxy printer configuration interface. On the left, there is a sidebar with sections for 'Interface', 'Printer Information', and 'Printer Status'. The 'Interface' section shows 'Printer: Galaxy' and 'USB' selected. The 'Printer Information' section shows 'Version: 1.00.47' and 'Serial Number: 1.00.42'. The 'Printer Status' section shows 'Idle!'. The main area has tabs for 'Common', 'RS-232', 'Bluetooth', 'Ethernet', and 'WIFI'. The 'Bluetooth' tab is active, showing 'Bluetooth Name: Galaxy (<=16 characters)', 'Password: 1234 (4 characters)', and 'Mac address: 11 : 55 : 44 : 33 : 22 : 58'. At the bottom, there are buttons for 'Load', 'Save', 'Set', 'Get', and 'RTC Setting'.

(7) Click “Ethernet”, then click “Get” to gain the relevant values.

The screenshot shows the HPRT Galaxy printer configuration interface with the 'Ethernet' tab selected. The sidebar on the left is identical to the previous screenshot. The main area shows 'DHCP: OFF' in a dropdown menu, 'IP Address: 192 : 168 : 0 : 35', 'Subnet Mask: 255 : 255 : 255 : 0', 'Default Gateway: 192 : 168 : 0 : 1', and 'Mac address: 02 : 21 : 00 : ea : 18 : f0'. At the bottom, there are buttons for 'Load', 'Save', 'Set', 'Get', and 'RTC Setting'.

(8) Click “WIFI”, then set up the name, password and so on.

The screenshot shows the HPRT Galaxy printer configuration interface with the 'WIFI' tab selected. On the left, there are sections for 'Interface' (Printer: Galaxy, USB), 'Printer Information' (Version: 1.00.47, Serial Number: 1.00.42, Cutting Counter: 0, Mileage: 6747.05 m), and 'Printer Status' (Idle!). The main area contains the following settings:

- SSID: Galaxy
- Password: 12345678
- Work Mode: STA
- DHCP: OFF
- IP Address: 0 0 0 0
- Subnet Mask: 255 0 0 0
- Default Gateway: 0 0 0 0
- Mac address: [ ] : [ ] : [ ] : [ ] : [ ] : [ ]

At the bottom, there are buttons for 'Load', 'Save', 'Set', 'Get', and 'RTC Setting'.

(9) Click “RTC Setting”. Click “Get System Date Time” to get the values, and click “Setup” to save them. Then click “Close”, and back to the main menu.

The screenshot shows the 'RTC Setup' dialog box with the following fields and buttons:

- Year: 2019
- Month: 8
- Date: 27
- Hour: 15
- Minute: 28
- Second: 02
- Buttons: Get System DateTime, Setup, Close



**Note:**

- ① Finishing all the settings, user can click “Set” to save the values changed.
- ② Click “Get”, and user will get the default values.

The screenshot displays the HPRT Galaxy printer's settings interface. At the top, there is a navigation bar with icons for Settings, Fonts, Storage, Function Test, Command Test, Firmware, Download Fonts, and System. The 'Settings' tab is selected, and the 'WIFI' configuration page is active. The interface is divided into several sections: 'Interface' (Printer: Galaxy, USB, iatic recognition USB), 'Printer Information' (Version: 1.00.47, Serial Number: 1.00.42, Cutting Counter: 0, Mileage: 6747.05 m), and 'Printer Status' (Idle!). The 'WIFI' section includes fields for SSID (Galaxy), Password (12345678), Work Mode (STA), DHCP (OFF), IP Address, Subnet Mask, Default Gateway, and Mac address. At the bottom, there are buttons for 'Load', 'Save', 'Set', 'Get', and 'RTC Setting'. The 'Set' and 'Get' buttons are highlighted with red boxes and labeled with red numbers 1 and 2 respectively.

3. Click "Storage" to print image.

The screenshot shows a 'Download File' interface with the following elements:

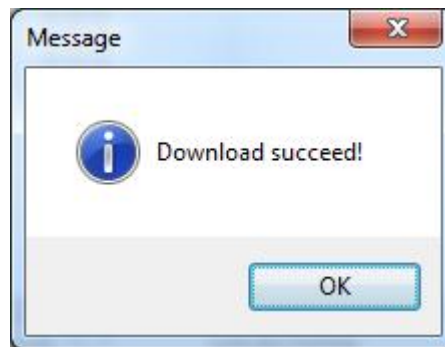
- Download File Section:**
  - File Type: Graphics (dropdown)
  - Magnification: 1.0 (dropdown)
  - File Name: [ ] (input field) with a browse button (...)
  - Download button
  - Free space: 119,401,472B; Uses space 286,790,656B.
- Graphics Column:**
  - List All Graphics
  - Print Selected Graphic
  - Delete Selected Graphic
  - Delete All Graphics
- Label Form Column:**
  - List All Forms
  - Print Selected Form
  - Delete Selected Form
  - Delete All Forms
- Auto Label Form Column:**
  - List Auto Form
  - Print Auto Form
  - Delete Auto Form
  - Enable Auto Form

(1) Click "File name" to select the image.

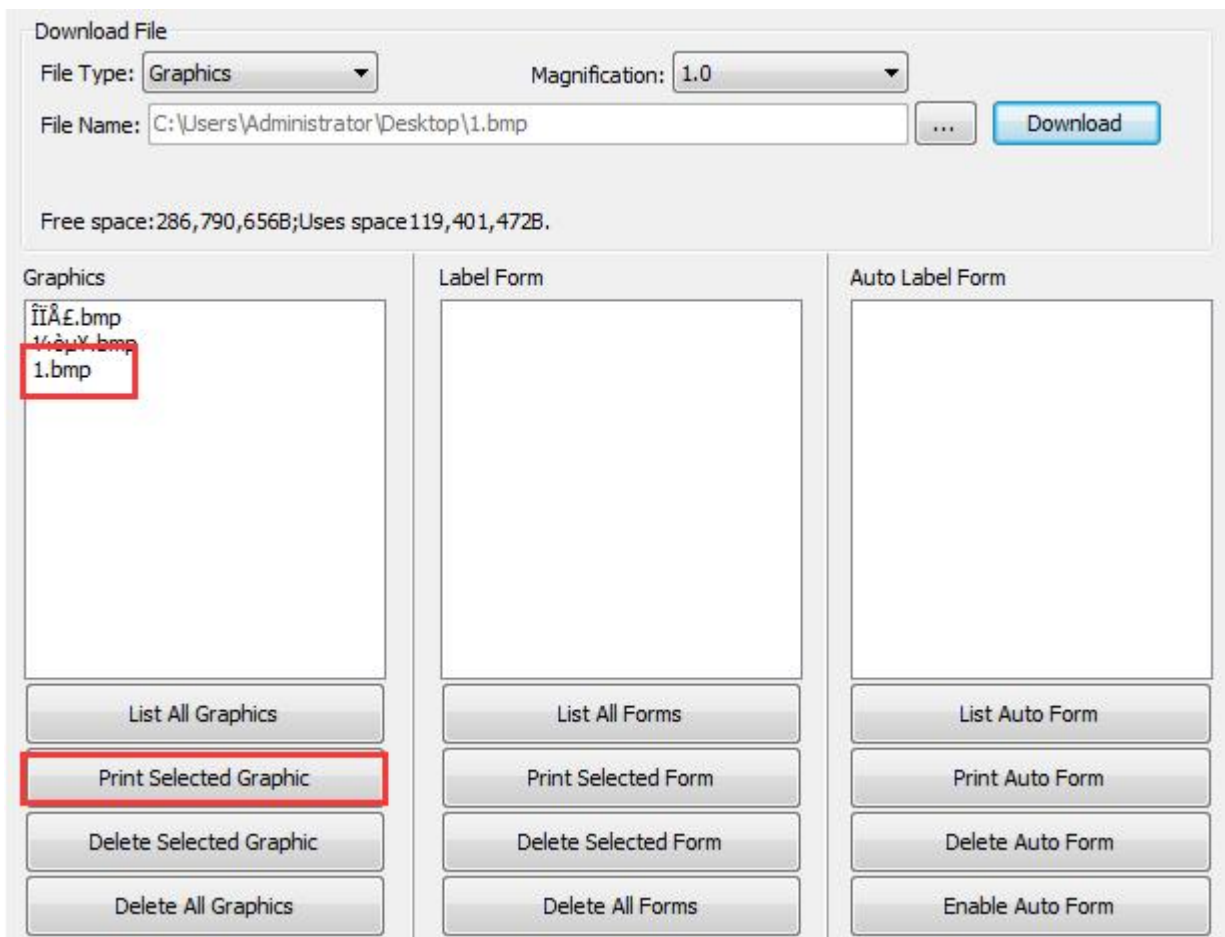
This is a close-up of the 'Download File' section from the previous screenshot. The 'File Name' input field is empty, and the browse button (...) is highlighted with a red square. The 'Download' button is also visible to the right.

**Note:** The file name must be in English or number, and the filename length must be less than 32.

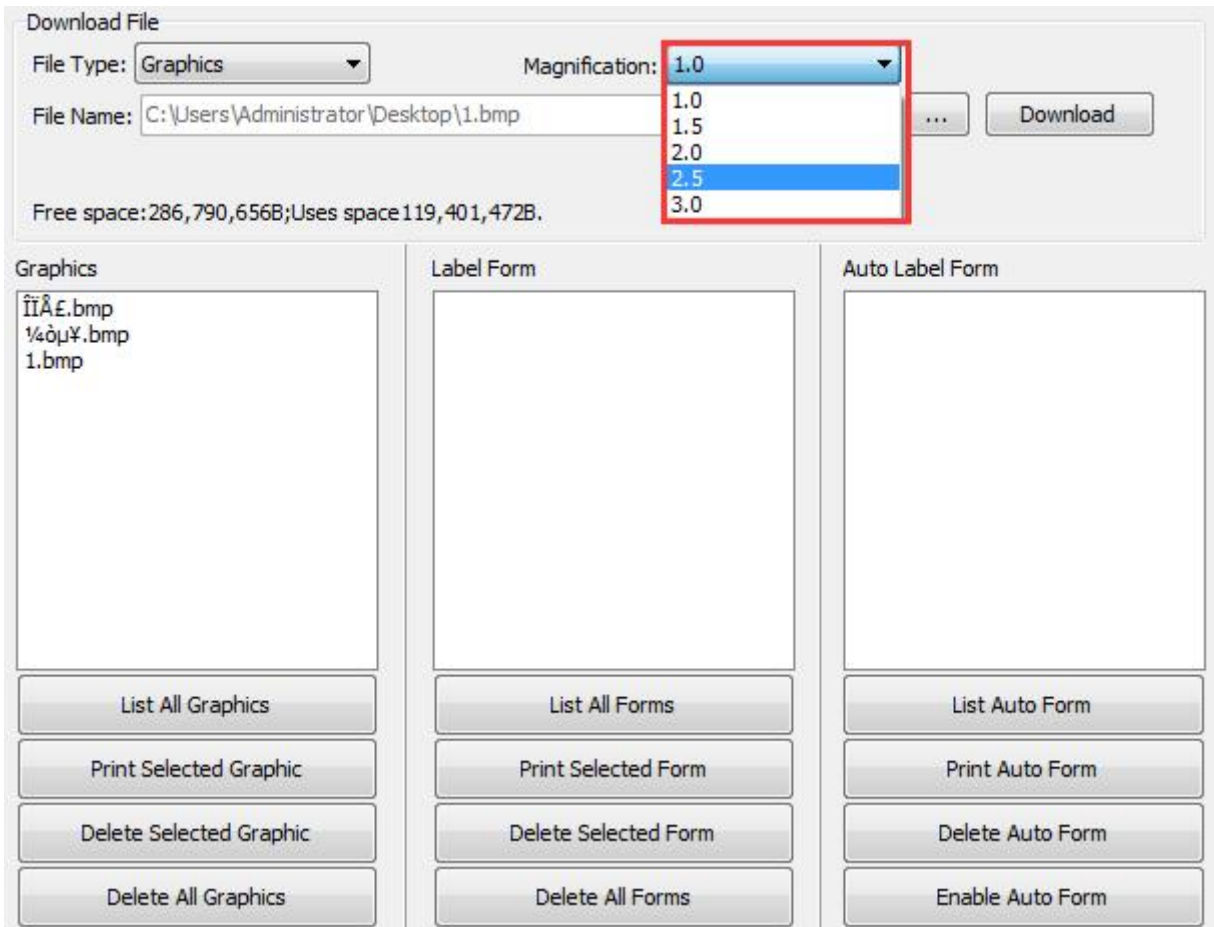
(2) Click “Download”.



(3) Select the downloaded graphic, and then click “print selected graphic” to print the picture.

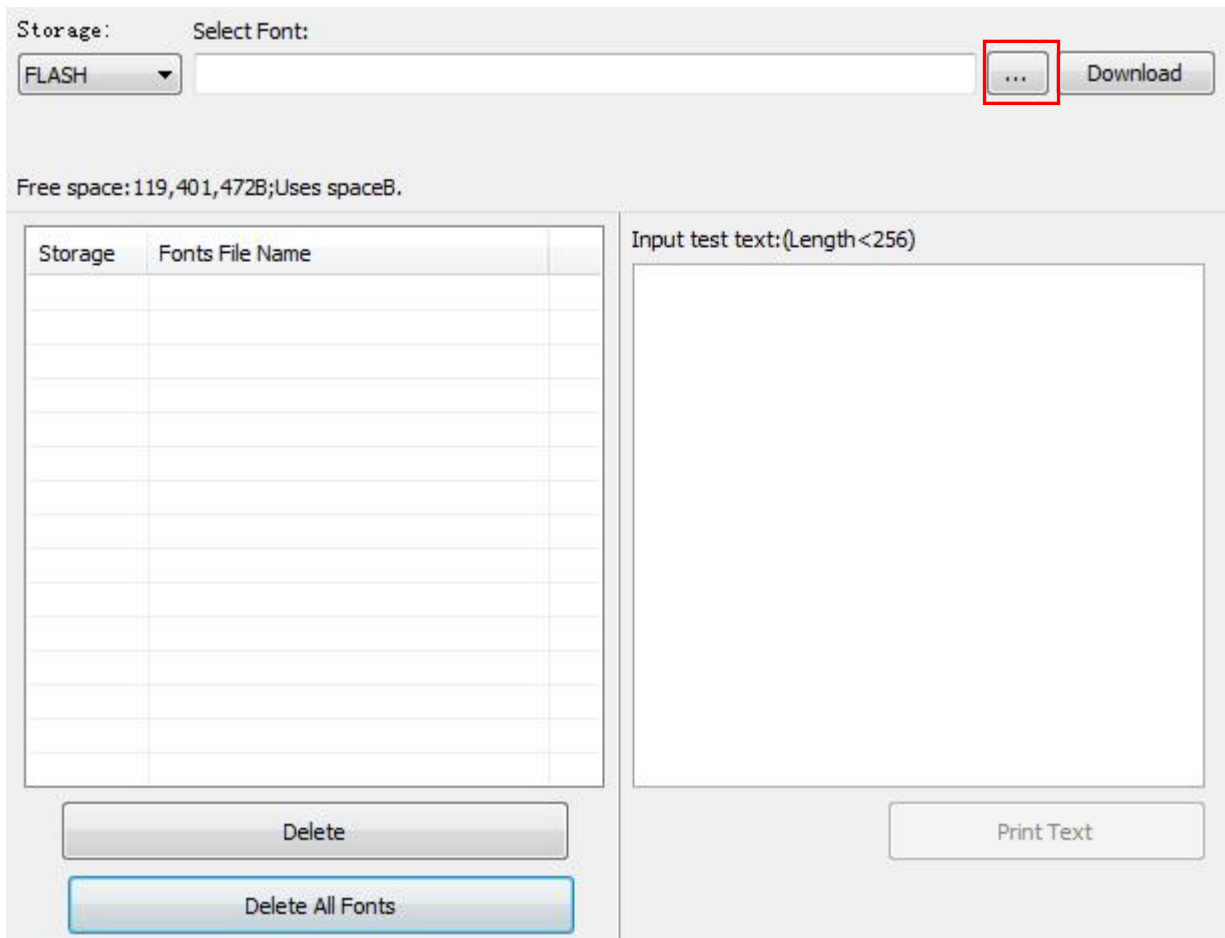


(4) You can set a magnification of the graphic as needed.

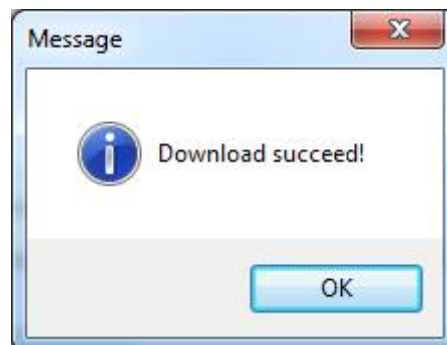
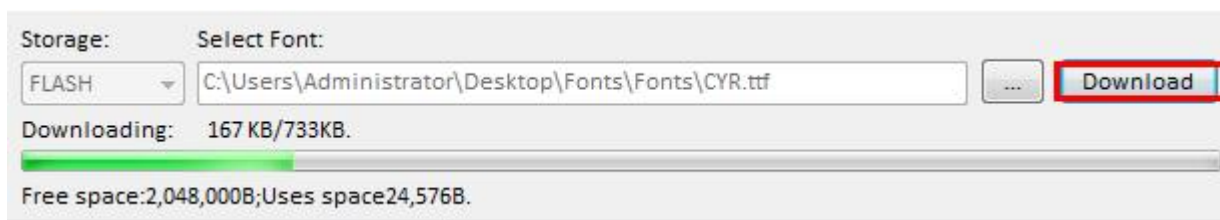


4. Click "Fonts". (Users can download the required fonts from the network)

(1) Click "Select Font" to select the vector font you want.

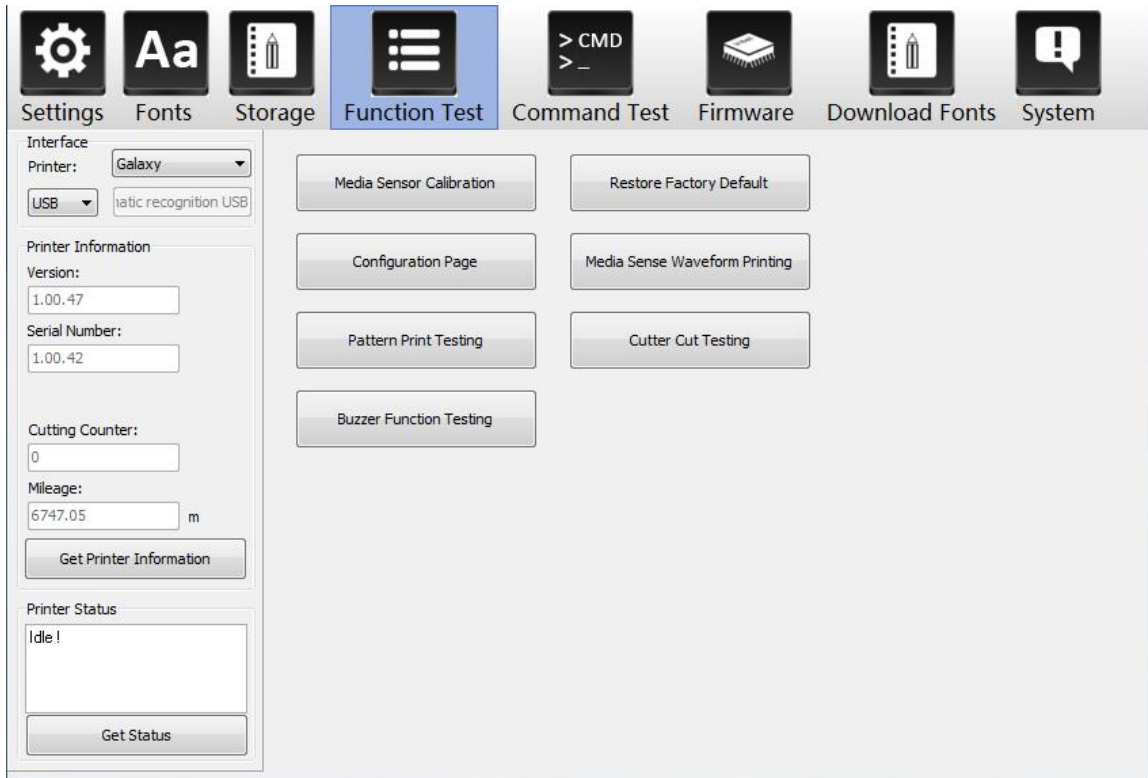


(2) Click "Download" (Note: The font file name must be in English or number).

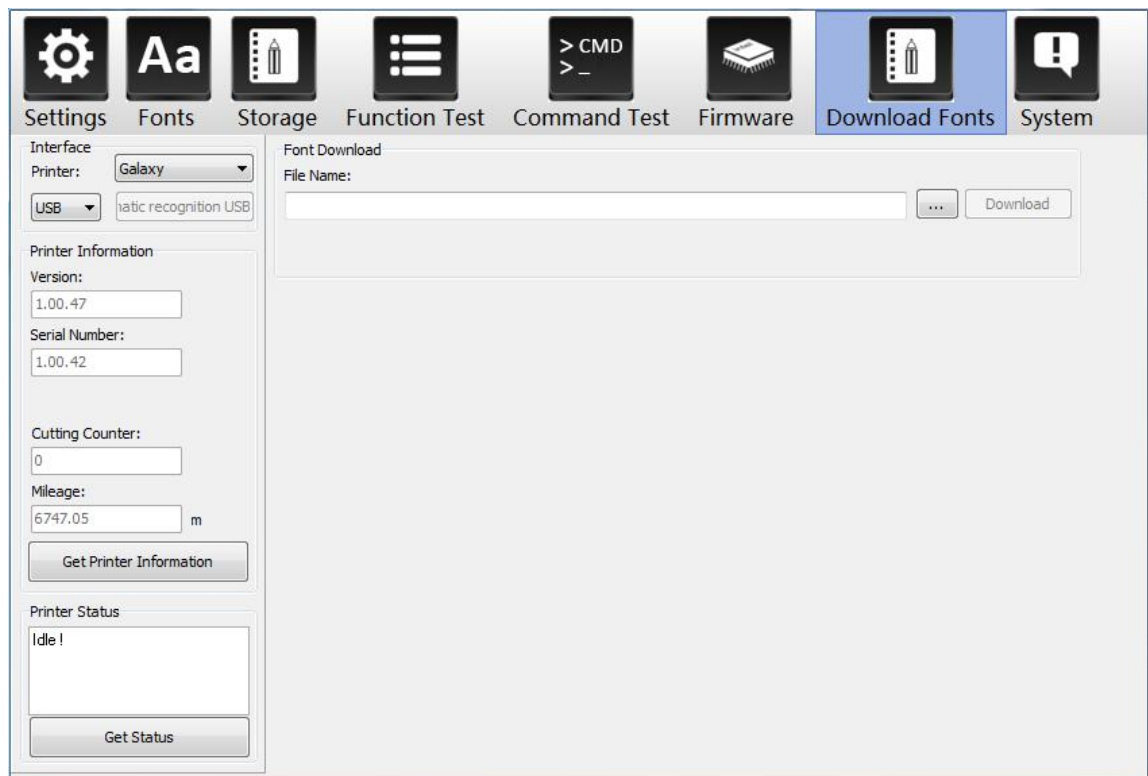




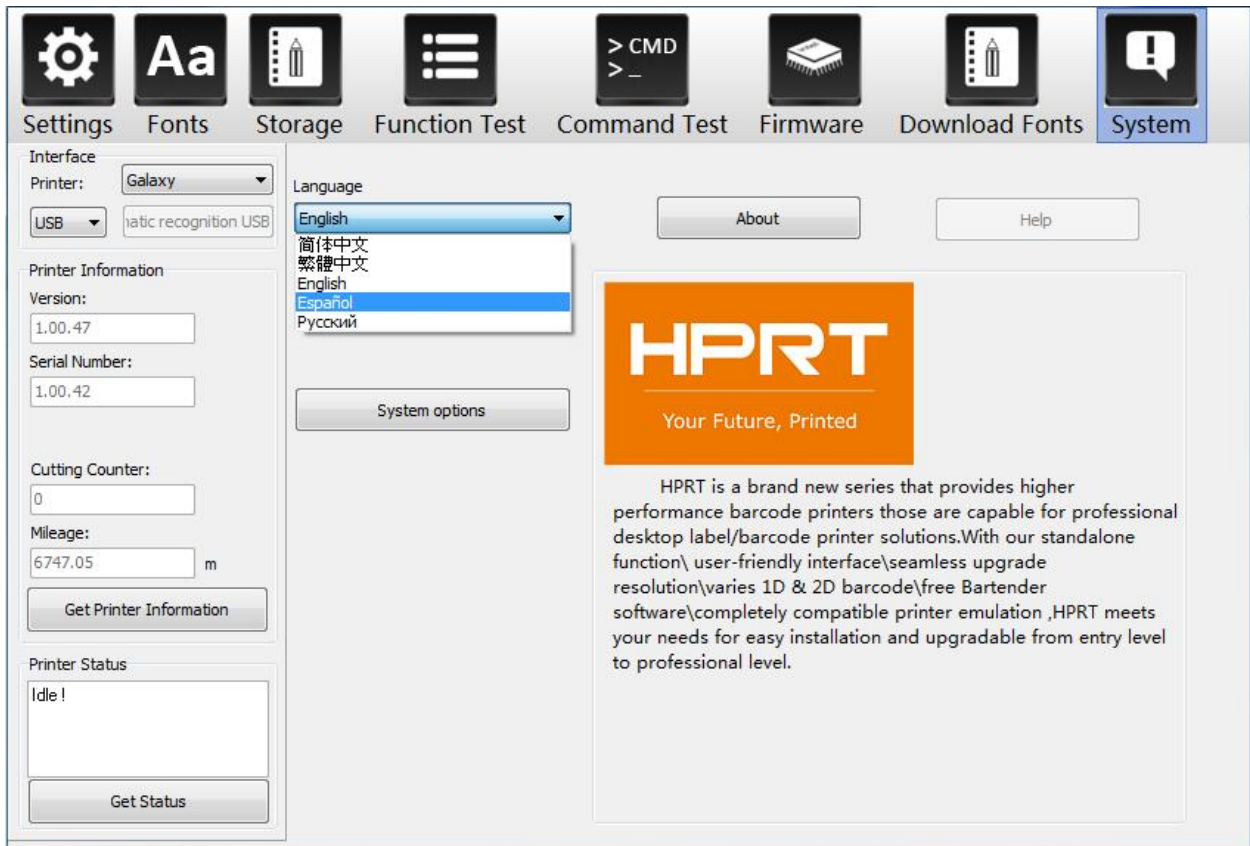
5. Click "Function Test". User can carry the followings such as sensor calibration, pattern print testing and so on.



6. Click on "Download Fonts". (Users can select fonts directly from the word library provided by our division)



7. Click "System". Click "language" and choose the language of printer utility.



## Chapter 7 Seagull Windows Driver Instructions

### 7.1 Introduction

The following operating systems are supported:

- Windows Vista, Windows 7, Windows 8 and 8.1, and Windows 10.
- Windows Server 2008, 2008 R2, 2012, 2012 R2, and 2016.
- 32-bit and 64-bit(x64) editions.

### 7.2 Installation Preparation

Download Seagull Windows Driver application program in CD.

### 7.3 Installation



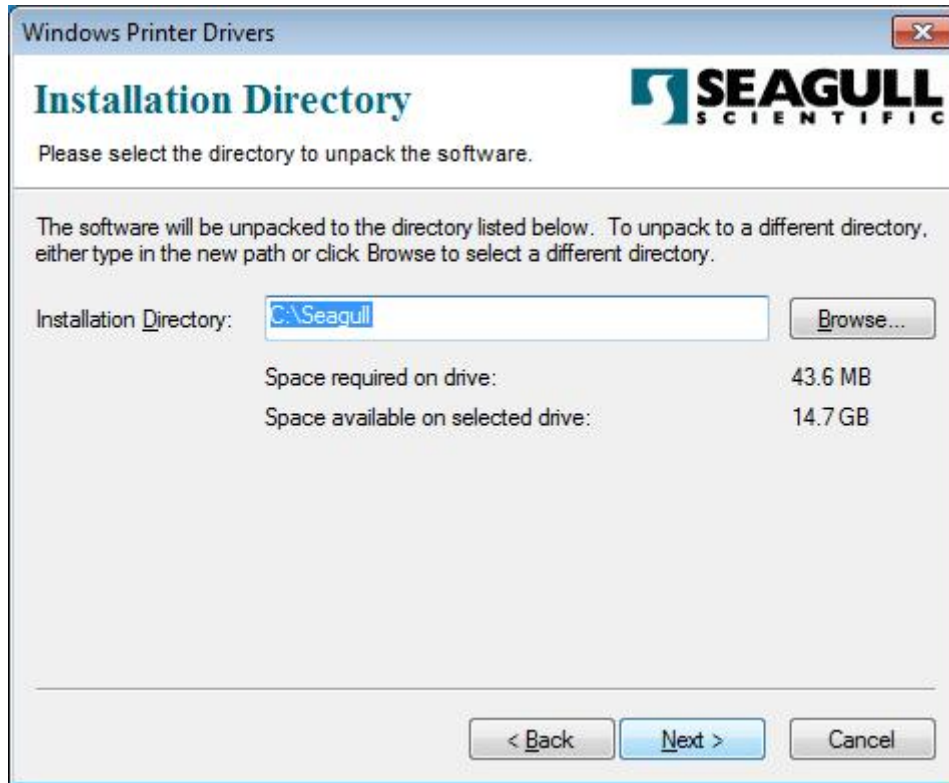
**Note:** Under different operating systems, the screen may be slightly different. Take Windows 7 as example.

- Take printer Galaxy as example.
- To avoid the prevention, recommend to close the security software before installation.
- All of the following settings if you want to restore to the original state of the printer can only be restored by factory settings

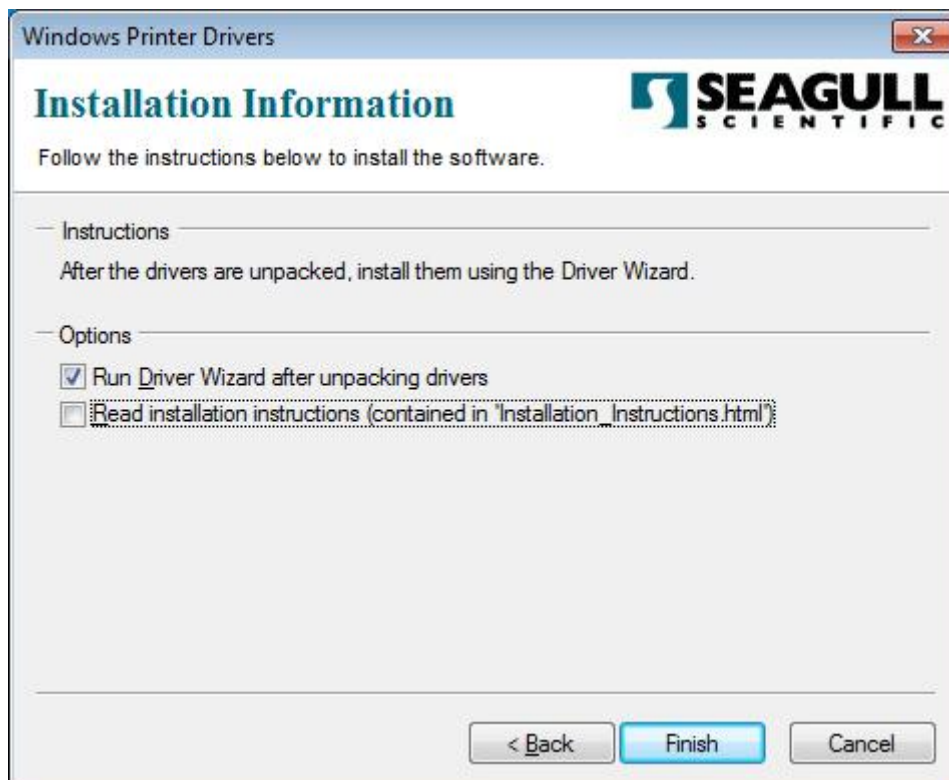
1. Select one interface to connect your printer to computer.
2. Turn on the printer and check if it is connected to computer successfully.
3. Double click Seagull Windows Driver.
4. Read and agree the license agreement. Then click "Next".



5. Choose the installation directory, then click "Next".



6. Click "Finish".

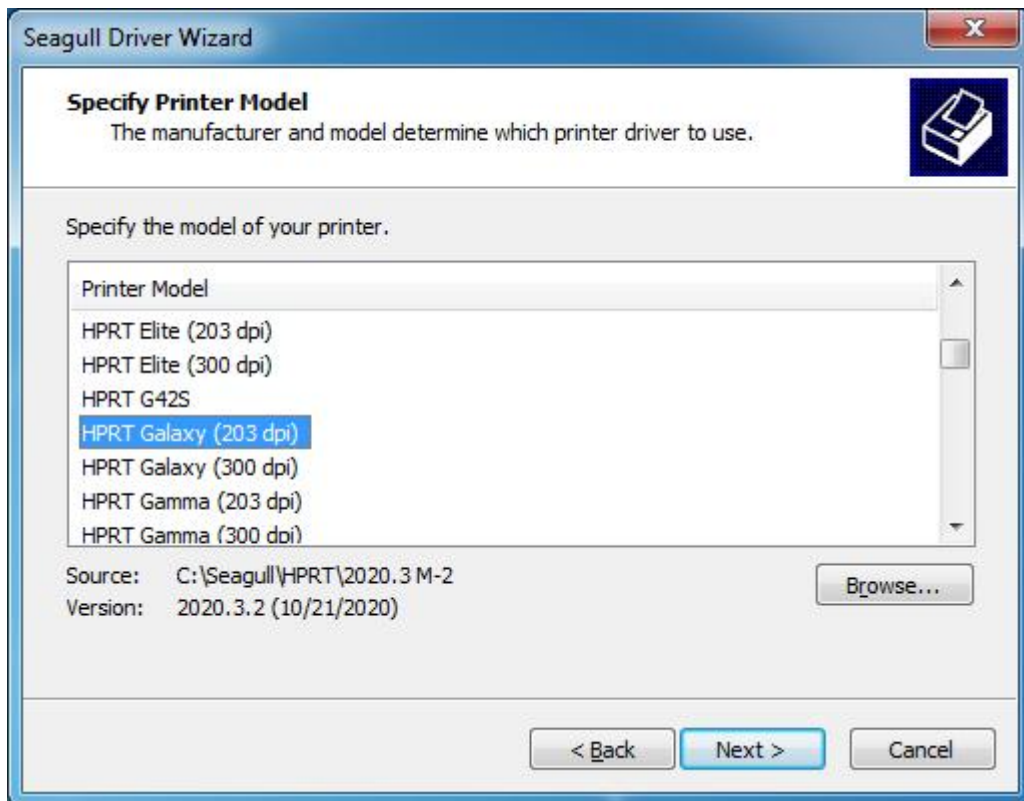


7. Choose "Install printer drivers", then click "Next".

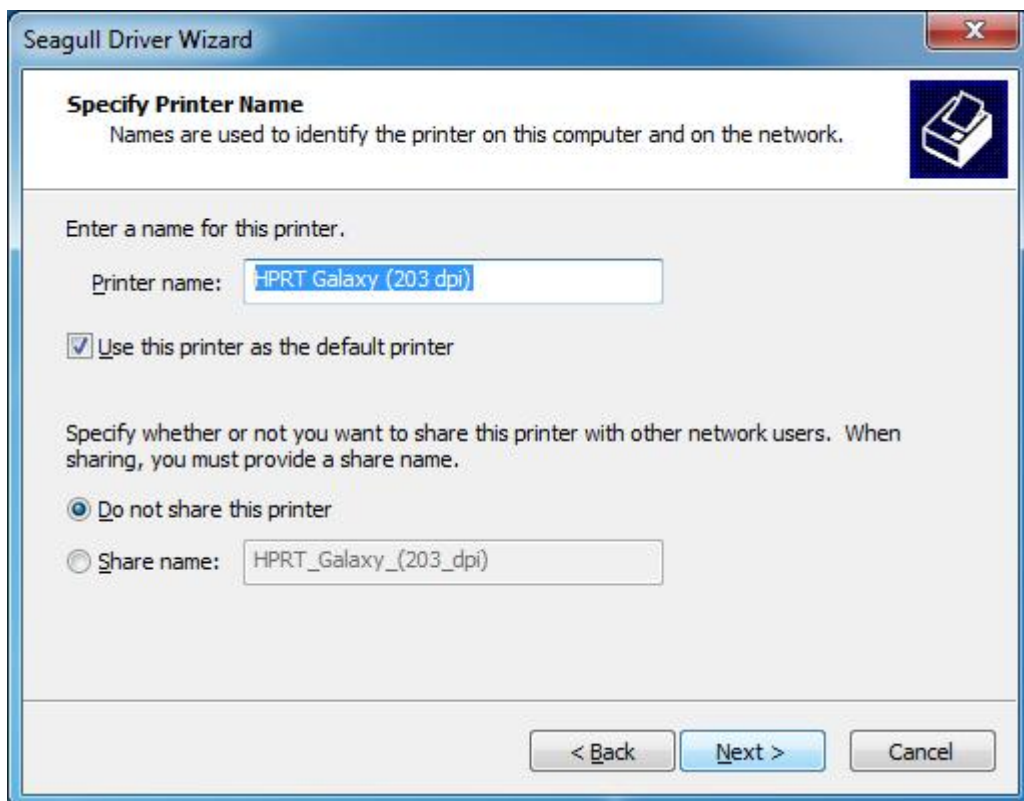


**Note:** If you have connected the printer to computer, it will detect and install the driver automatically. (e.g. USB port)

8. Choose the printer, then click "Next".



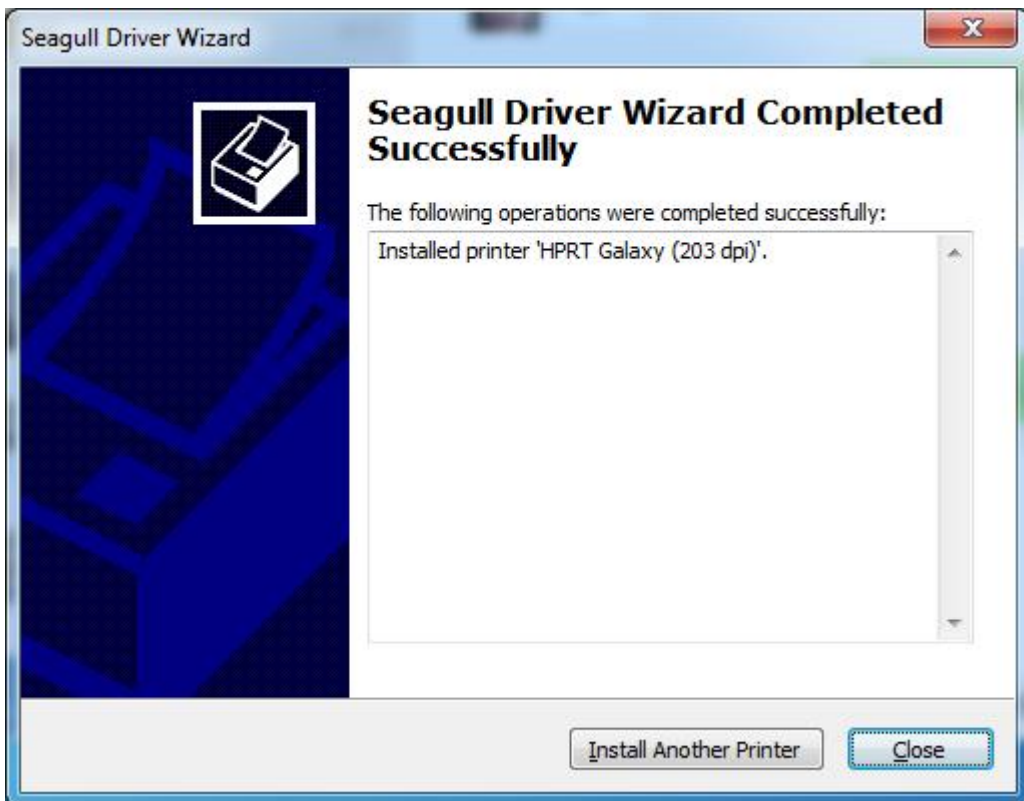
9. Enter a name for this printer, then click "Next".



10. Click "Finish".



11. Click "Close", and the driver is installed successfully.



12. After installation, the icon will be found in “Start” → “Devices and Printers”.



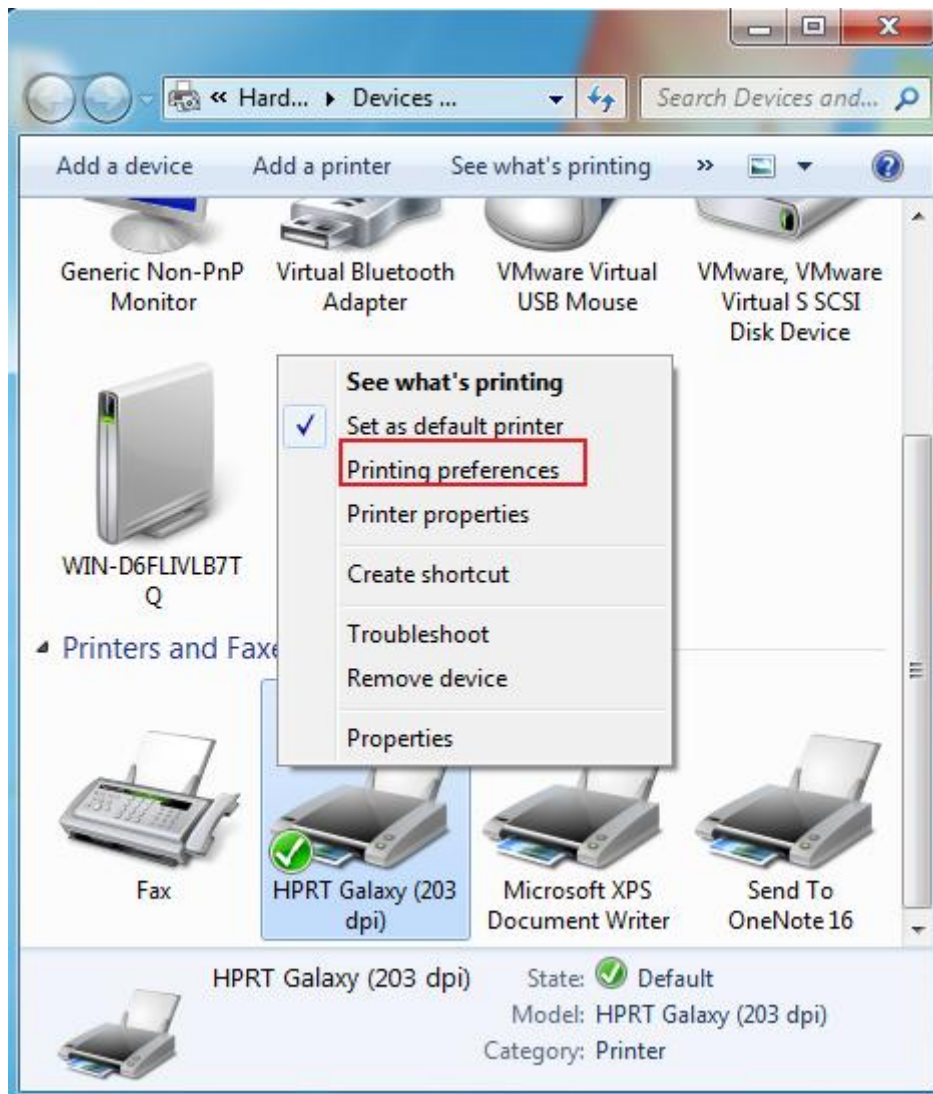
**Note:**

- If you have already installed the driver (No matter what kind of ports), it will generate a USB port automatically when connecting the printer to computer.
- Any problems exist, please use our utility tool in CD.

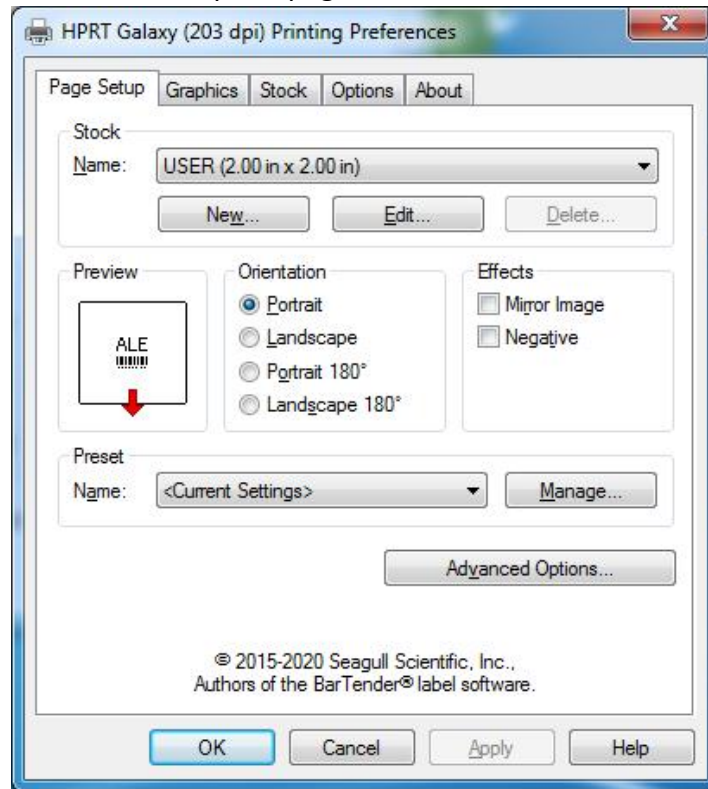
## 7.4 Usage

### 7.4.1 Printing Preferences

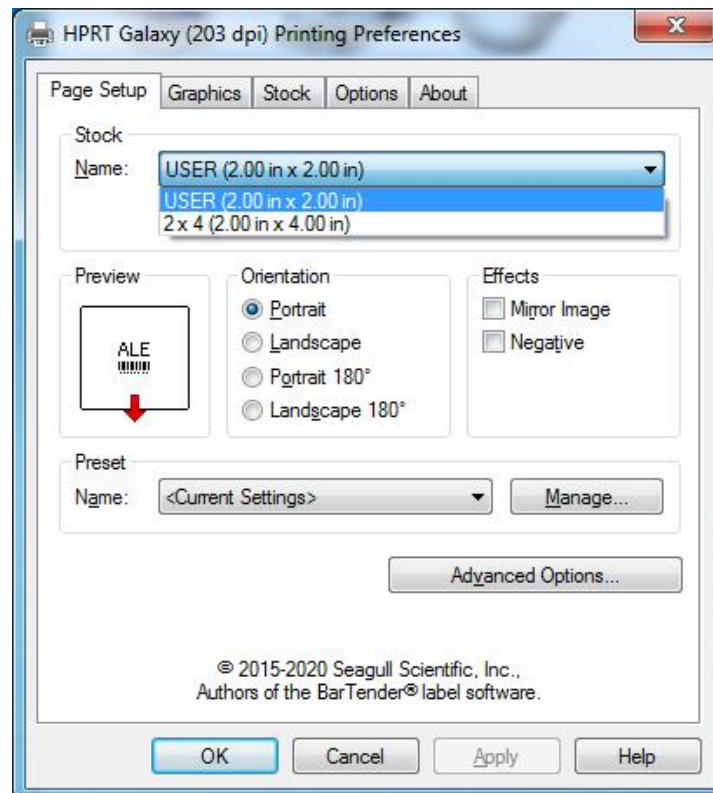
1. Click "Start" → "Devices and Printers". Right click icon and choose "Printing preferences".



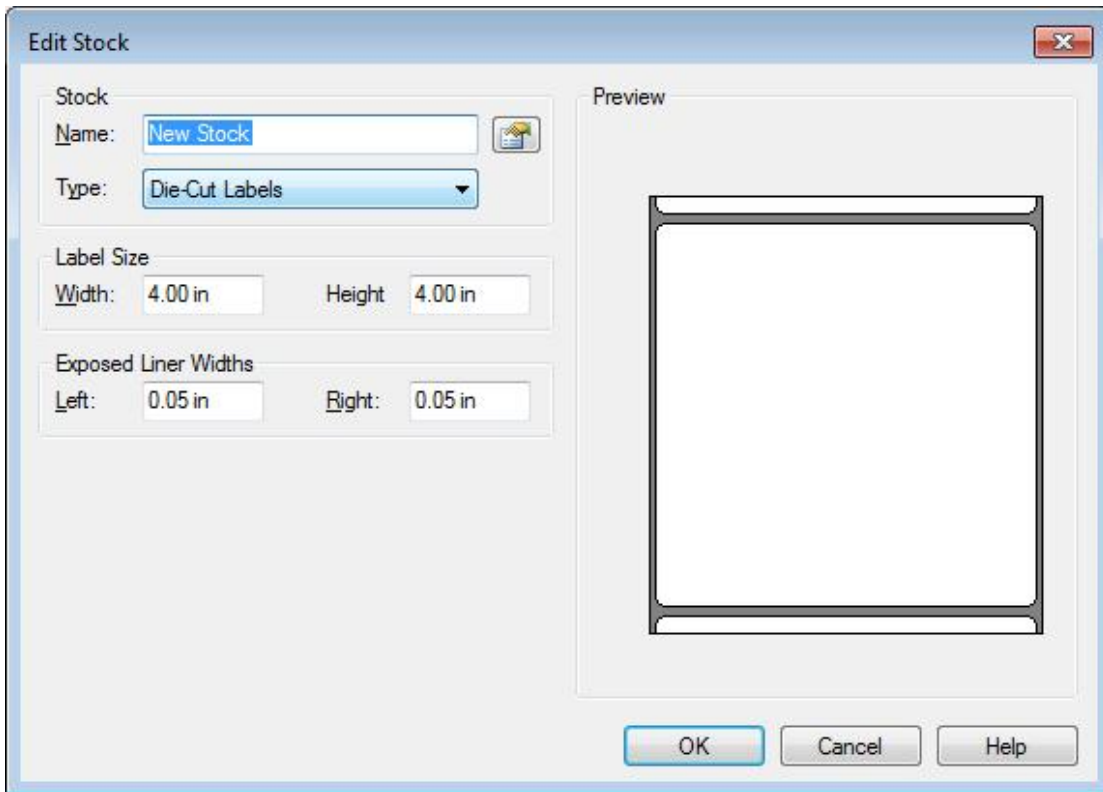
2. According to different needs, set up the page.



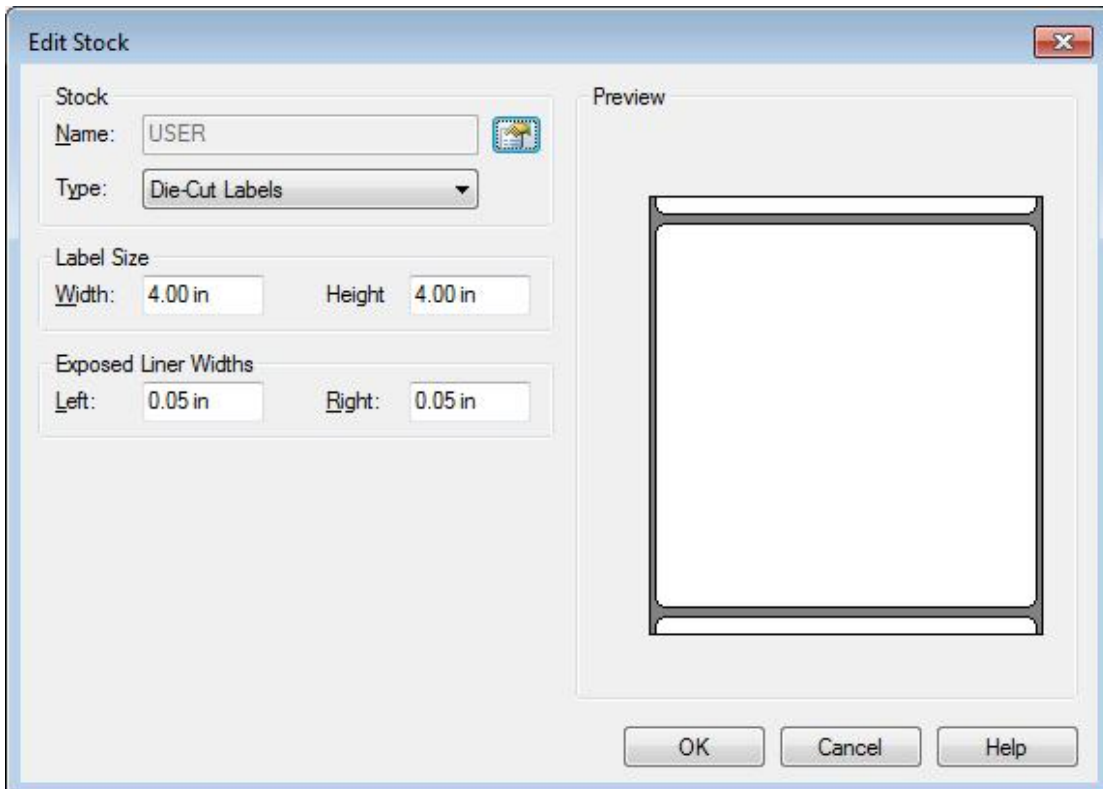
• Click “Stock” → “Name”, and choose the paper type.



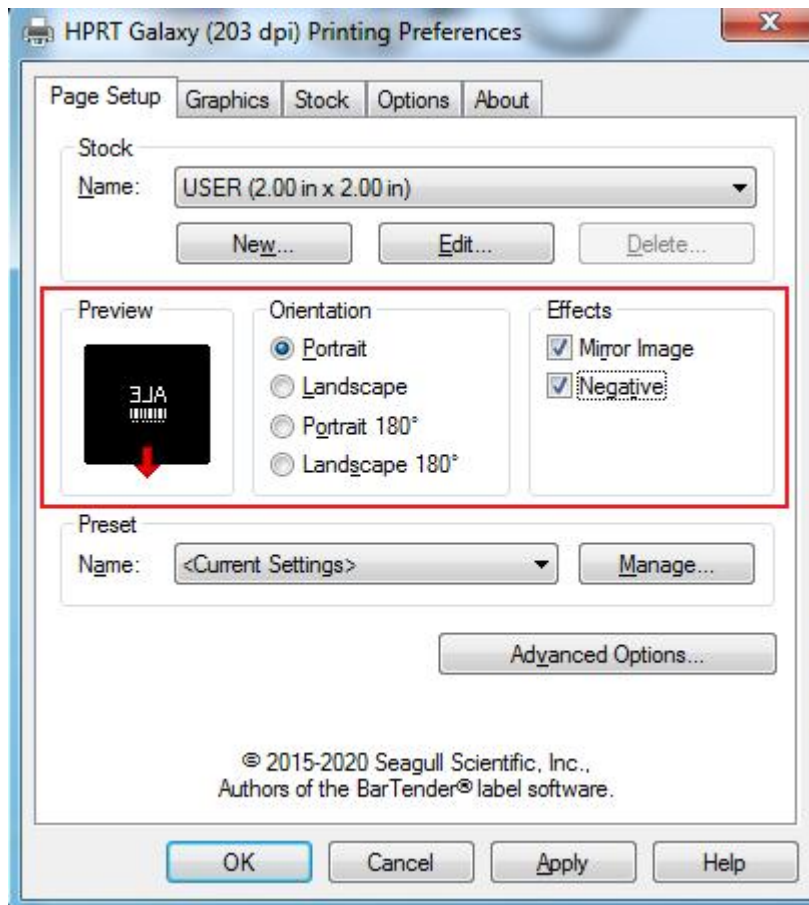
- Click “New Stock”, and set up a new stock.



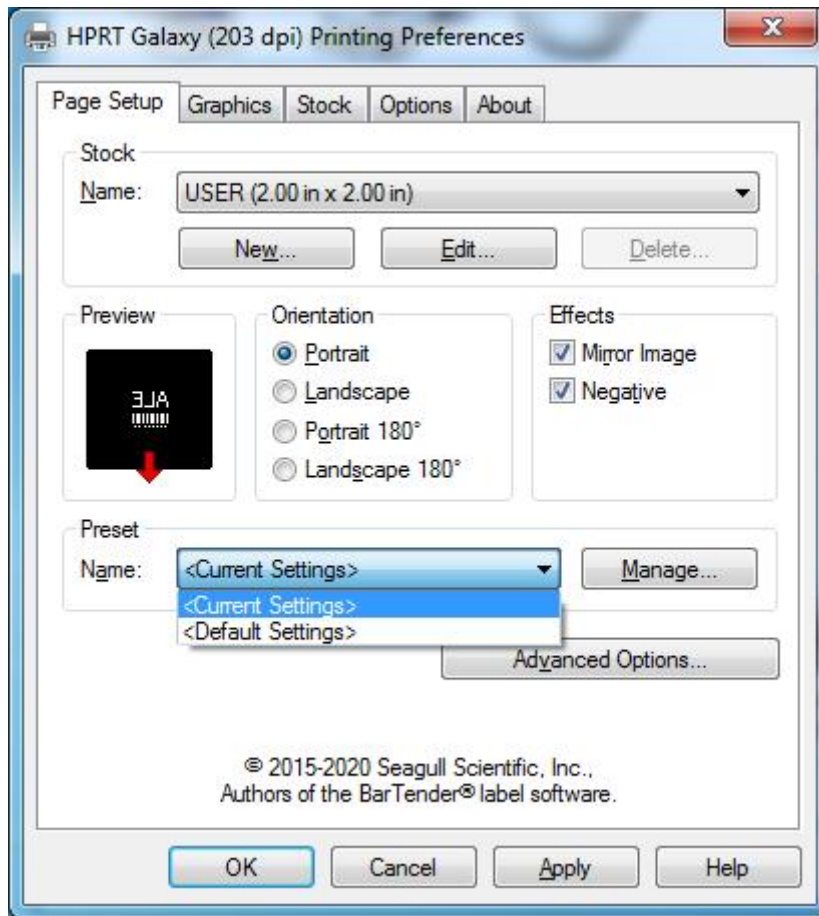
- Click “Edit Stock”, and edit the stock.



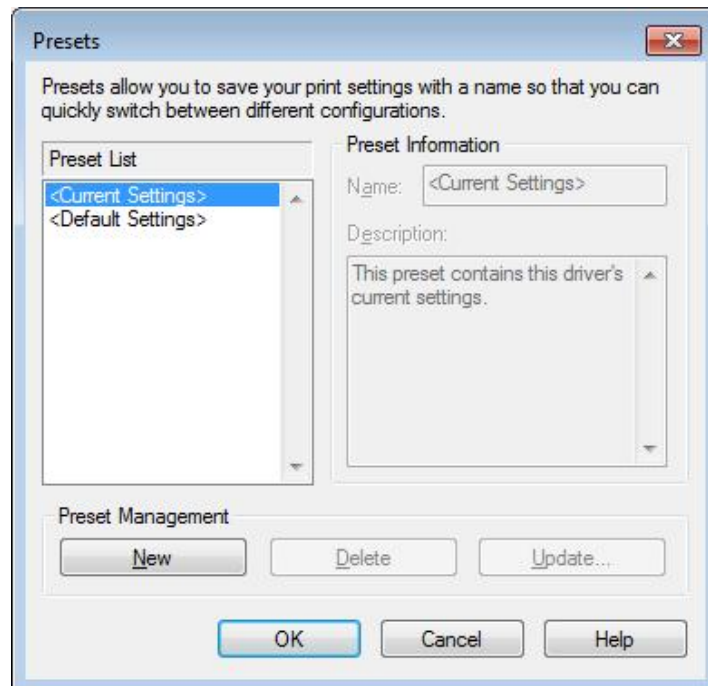
- Choose “Orientation” or “Effects”, showed in the “Preview”.



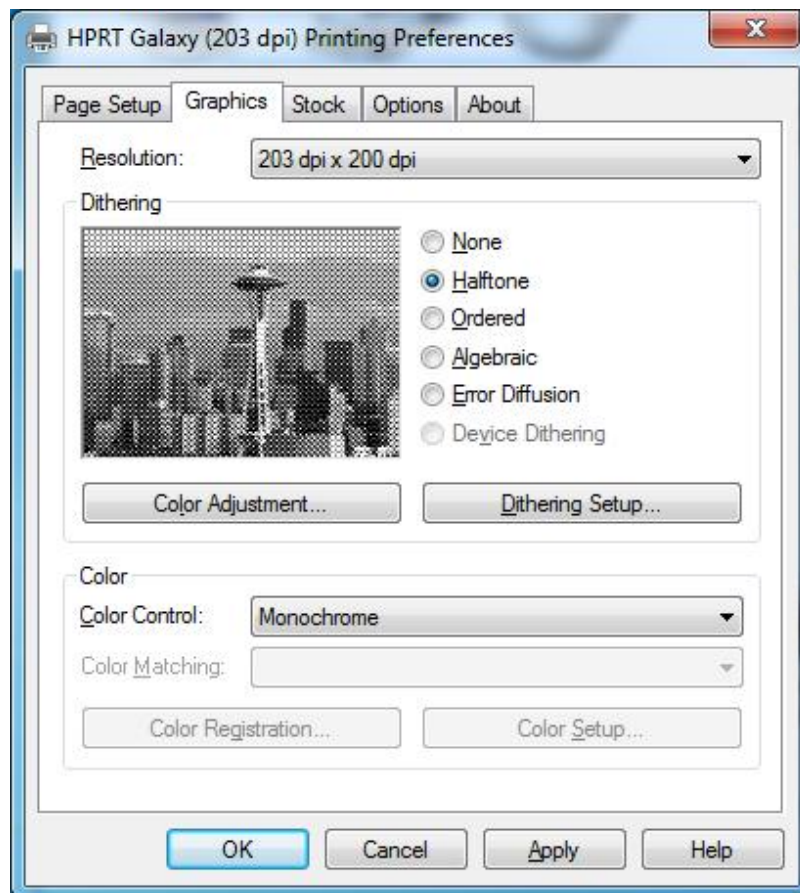
- Click “Preset” → “Name”, and back to the default settings.



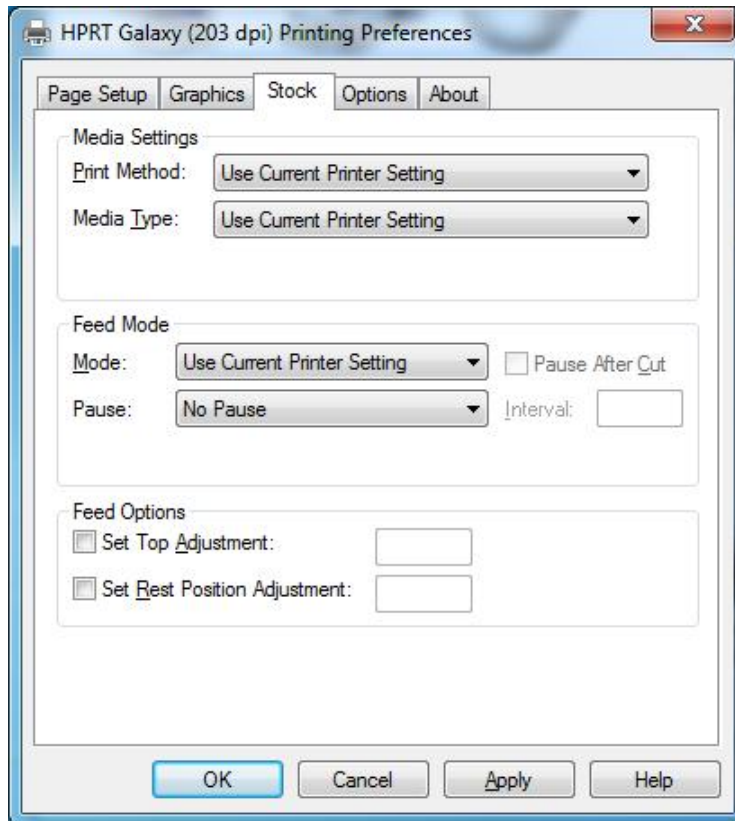
- Click “Manage”, and change the settings.



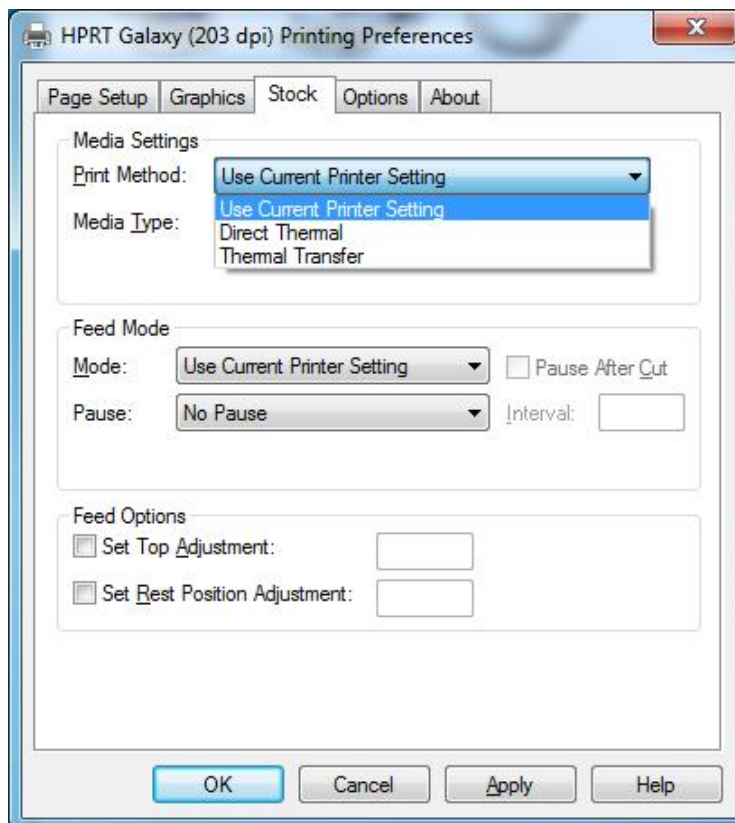
- 3.Click “Graphics”, and edit the pictures.



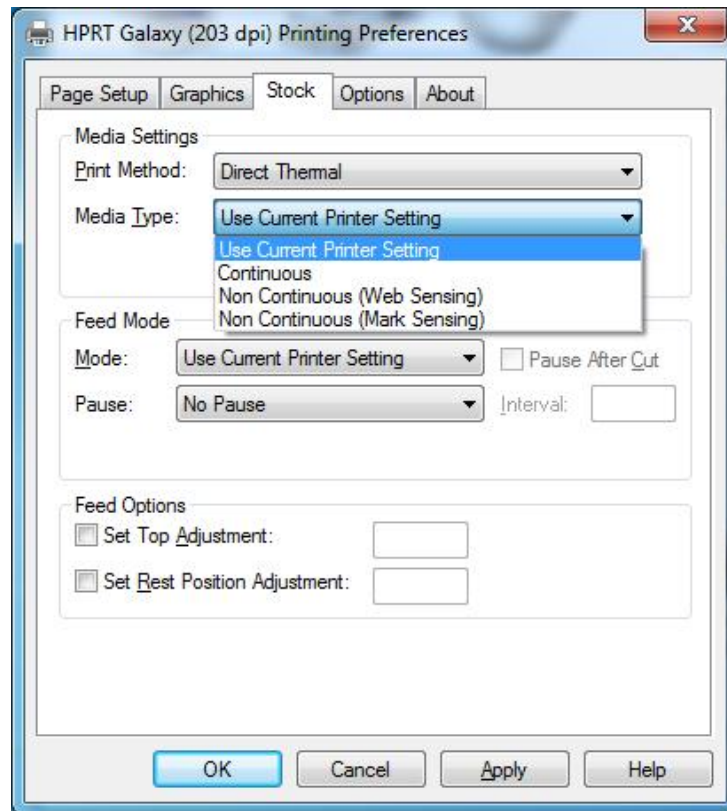
4. Click “Stock” to set the media settings, feed mode and feed options.



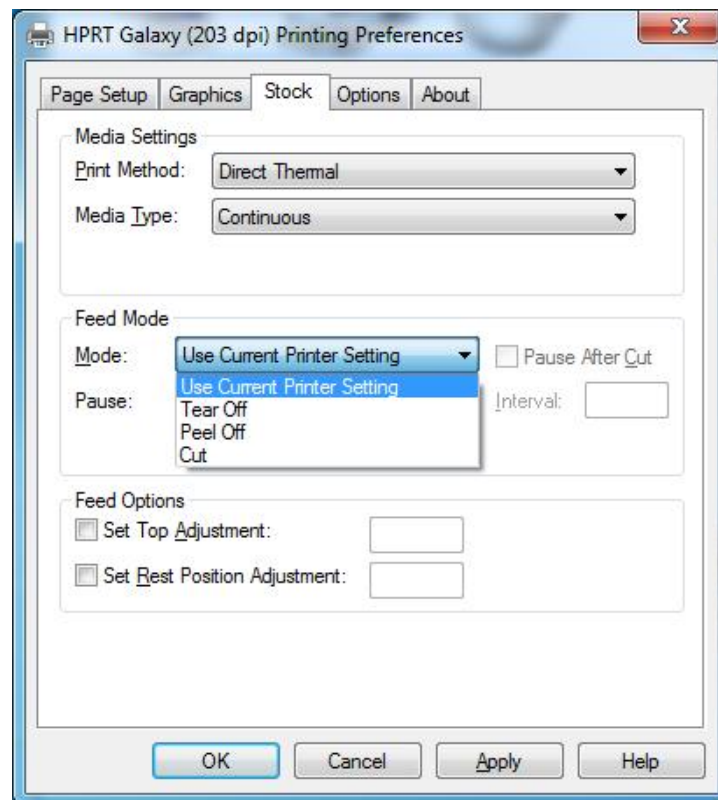
• Set up the print method.



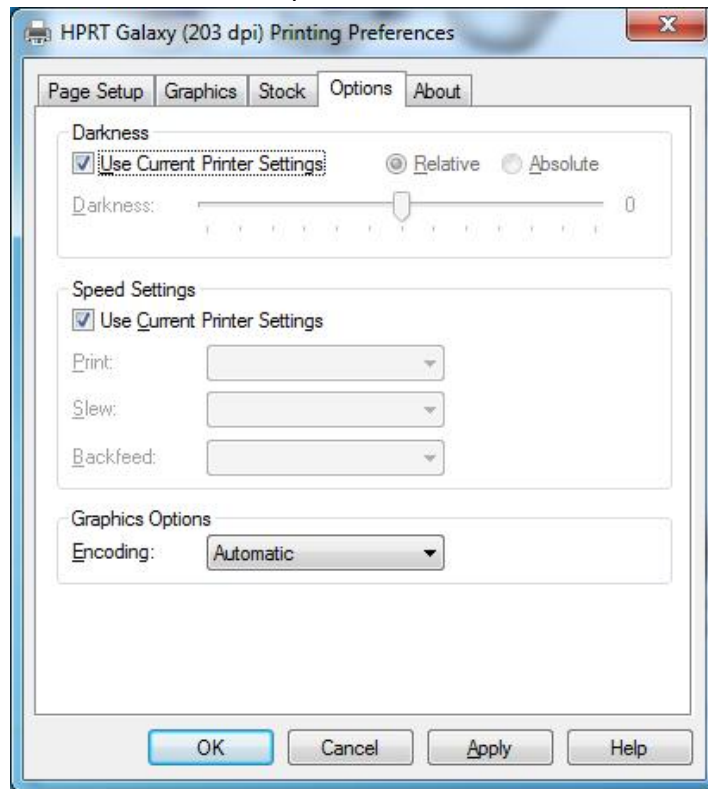
- Set up the media type.



- Click “Feed Mode” → “Mode”, and choose the method of media handling.

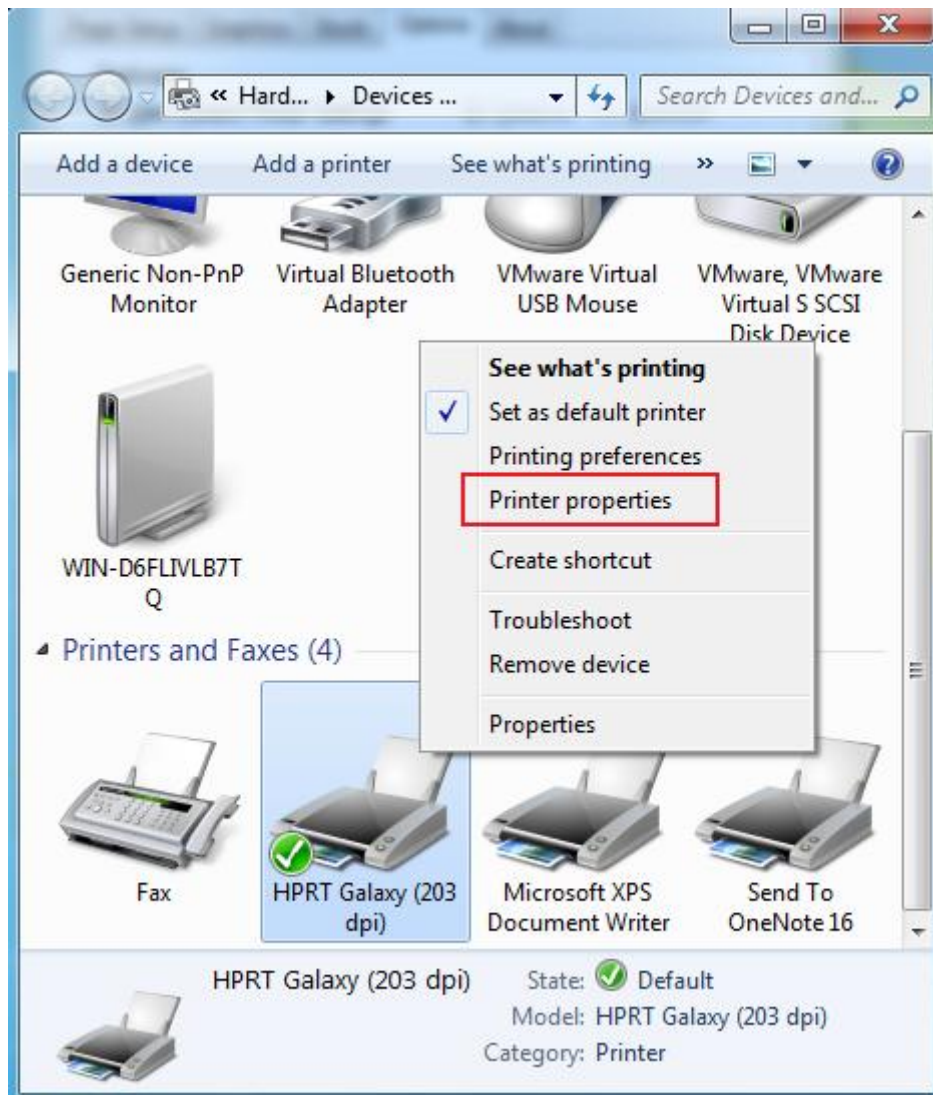


5. Click "Options" to set the darkness and speed.

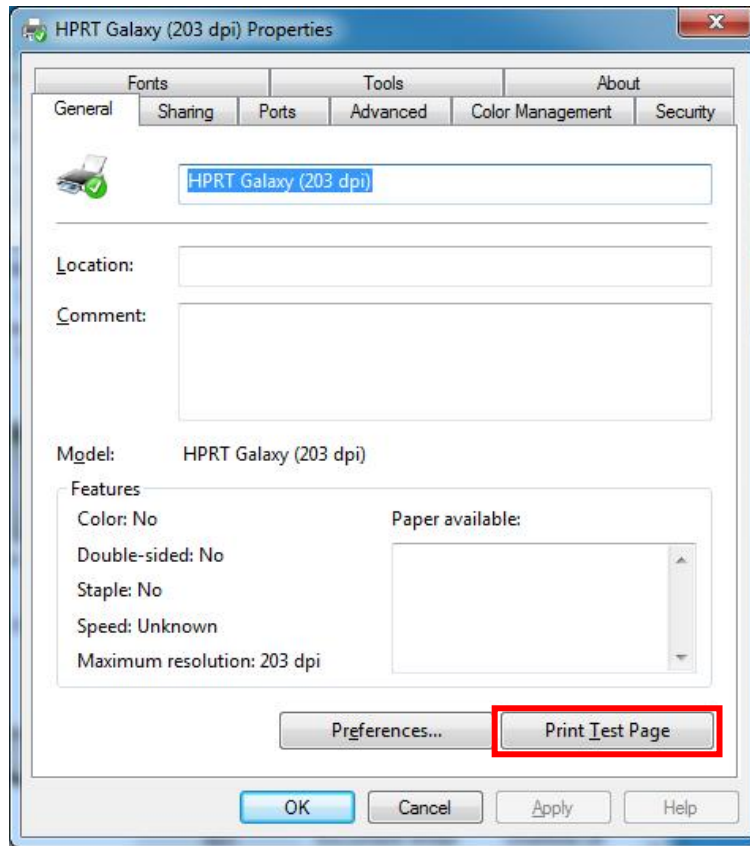


### 7.4.2 Printer Properties

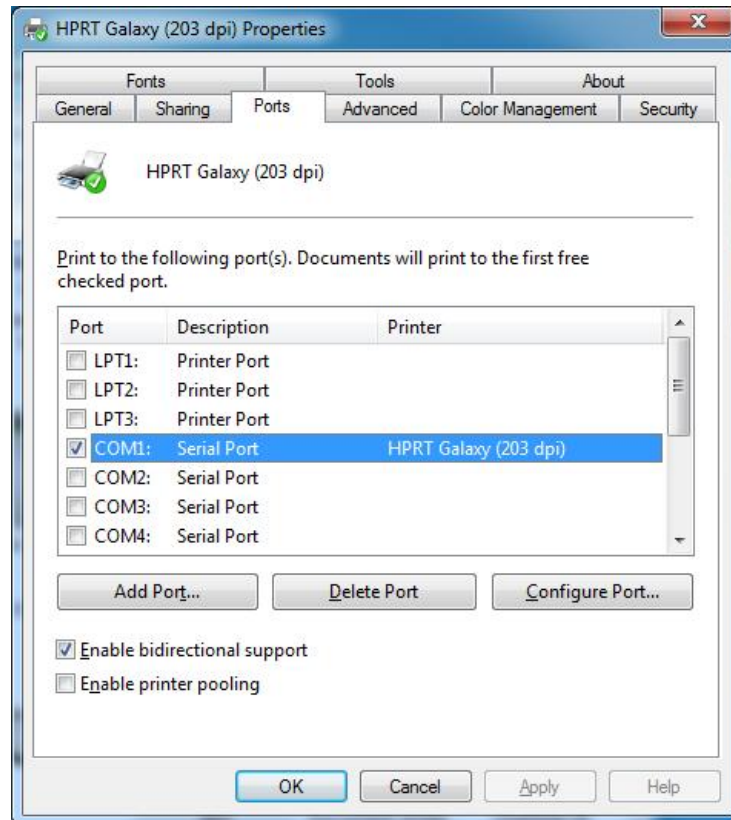
1. Click “Start” → “Devices and Printers”. Right click the icon and choose “Printer properties”.



2. Click “General” → “Print Test Page”, and printer will print labels with current settings.

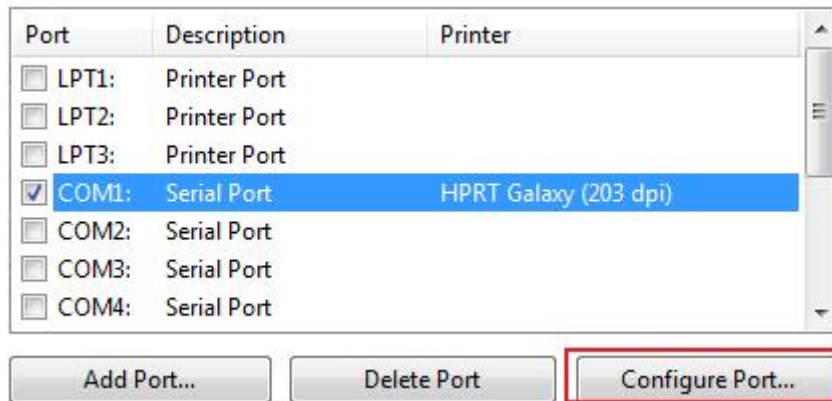


3. Click “Ports”, and choose the port needed.

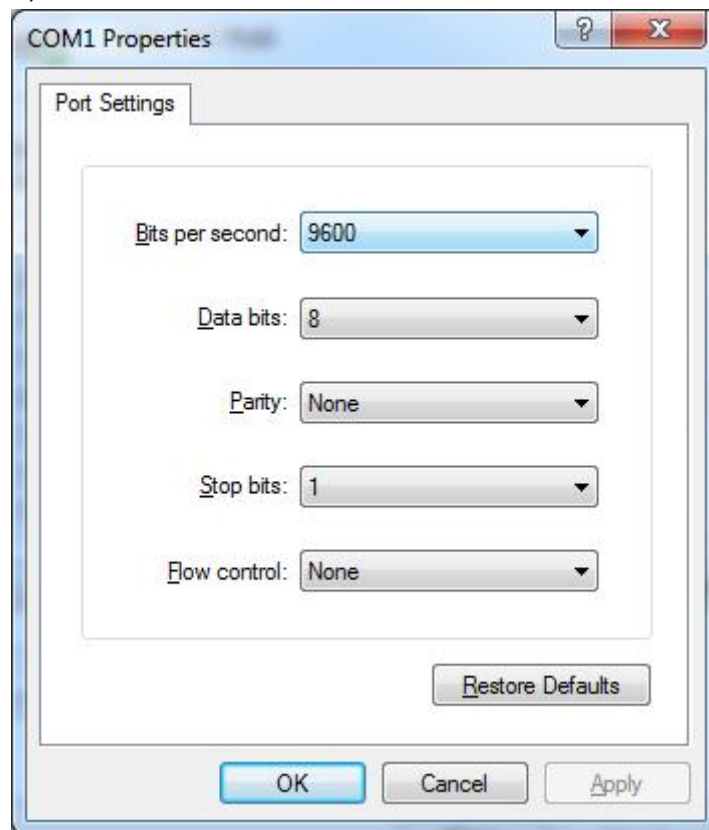


For example, configure the port as a serial port.

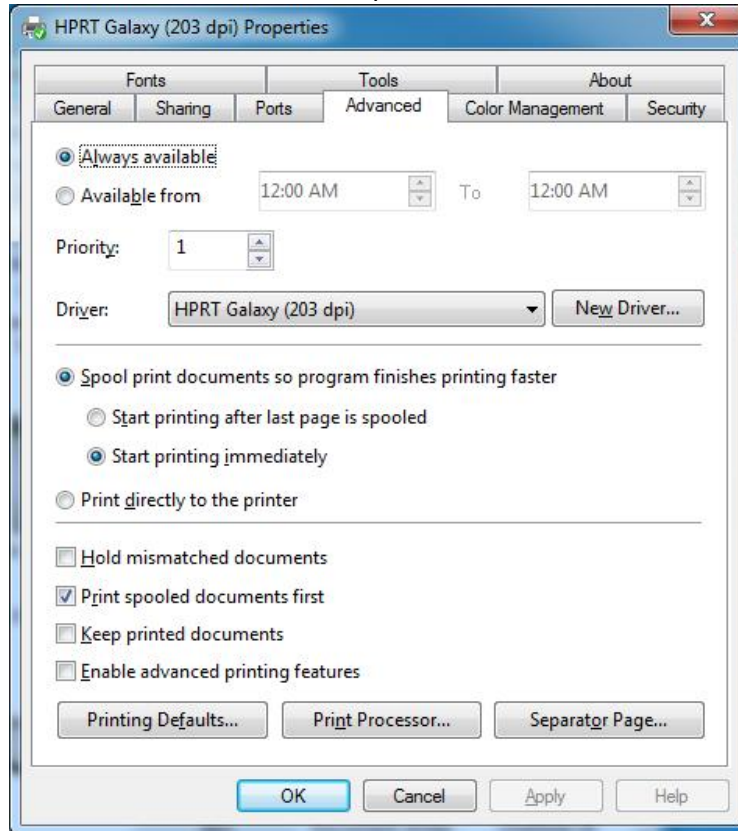
1) Check serial port and click "configure port"



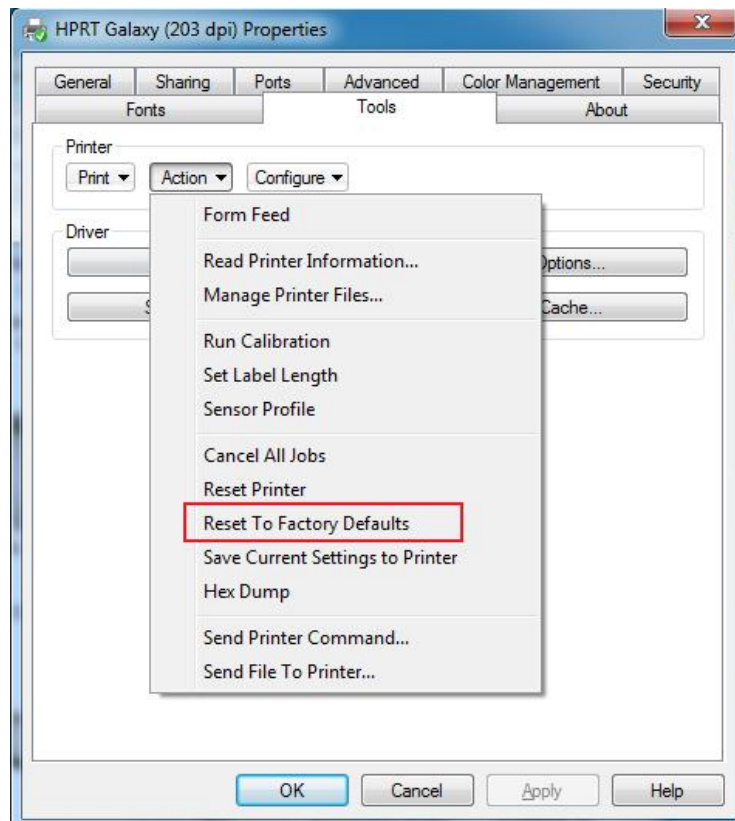
2) After opening the "configuration port", you can view the port data by printing the self-test page. Change the information on the "port setting" to the same port data on the self-test page. After the modification, click "OK".



4. Click “Advanced” to set the available time for printer.



5. Click “Tool” → “Action” to set all settings into the restore factory setting.



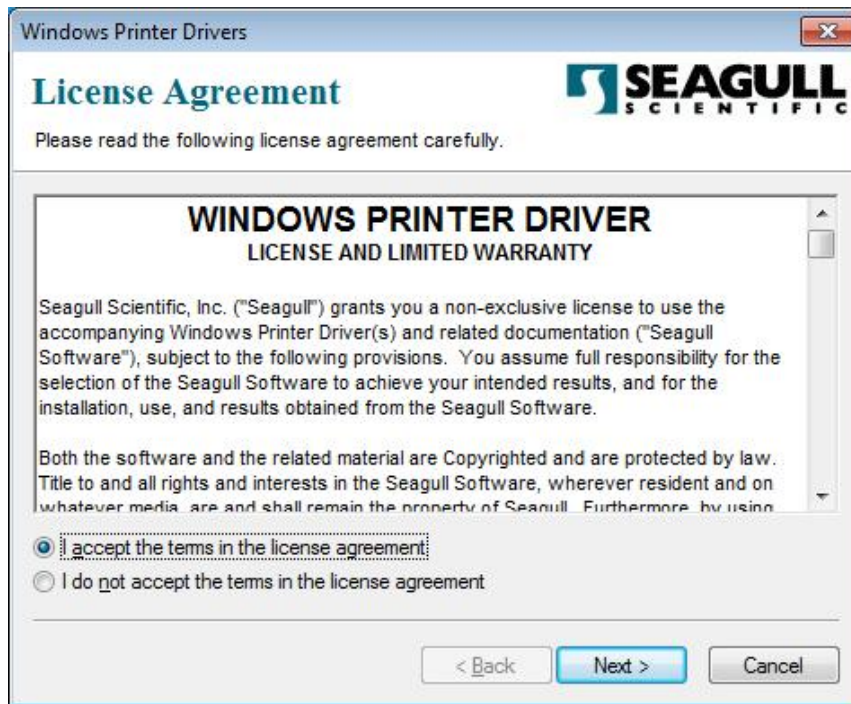
## 7.5 Removing



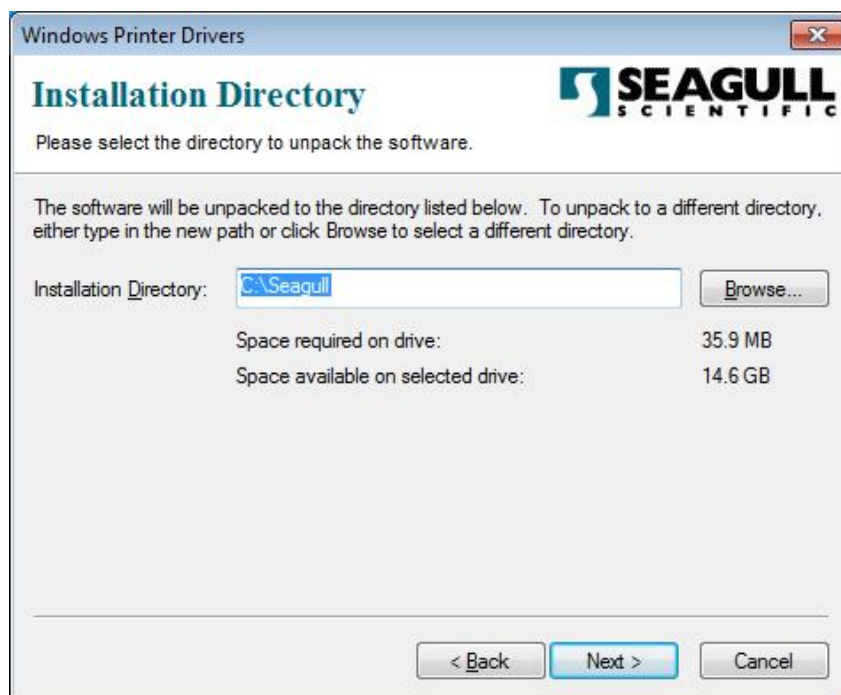
Note:

Please turn off the printer or unplug the USB cable before removing the driver.

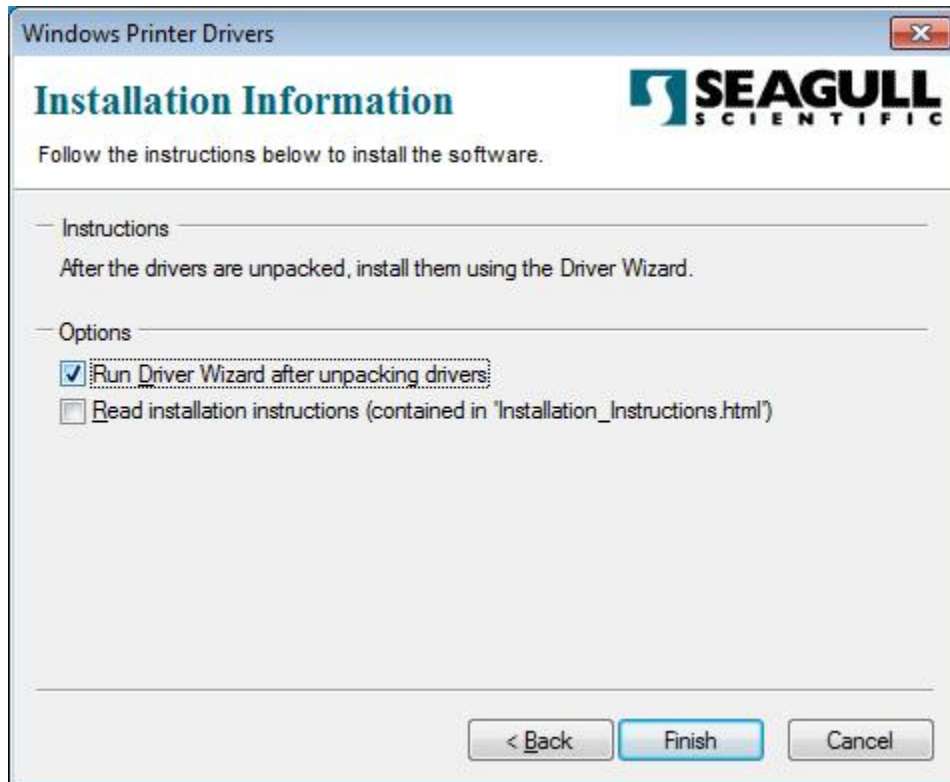
1. Double click Seagull Windows Driver.
2. Read and agree the license agreement. Then click “Next”.



3. Choose the installation directory, then click “Next”.



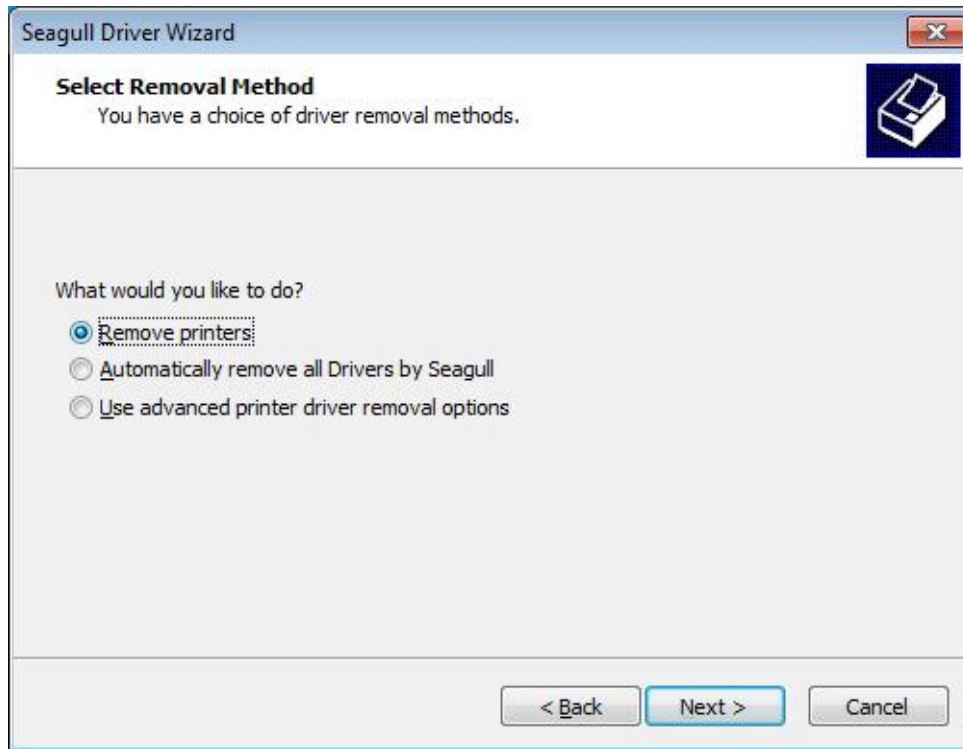
4. Click "Finish".



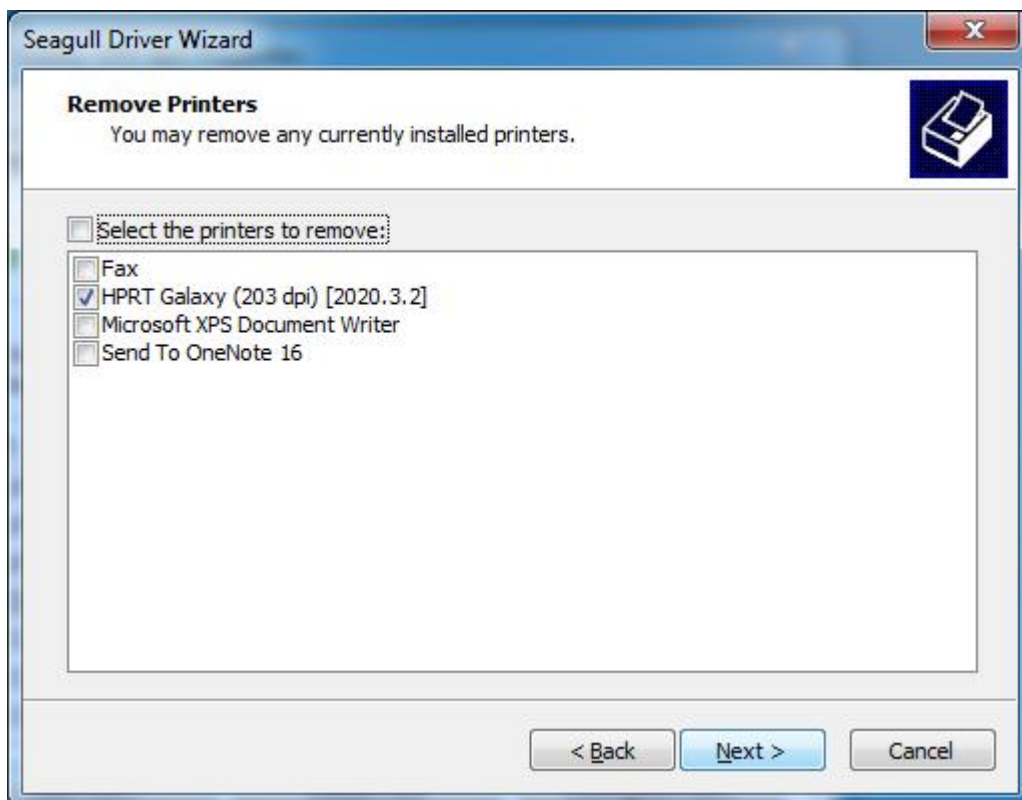
5. Select "Remove printer drivers", then click "Next".



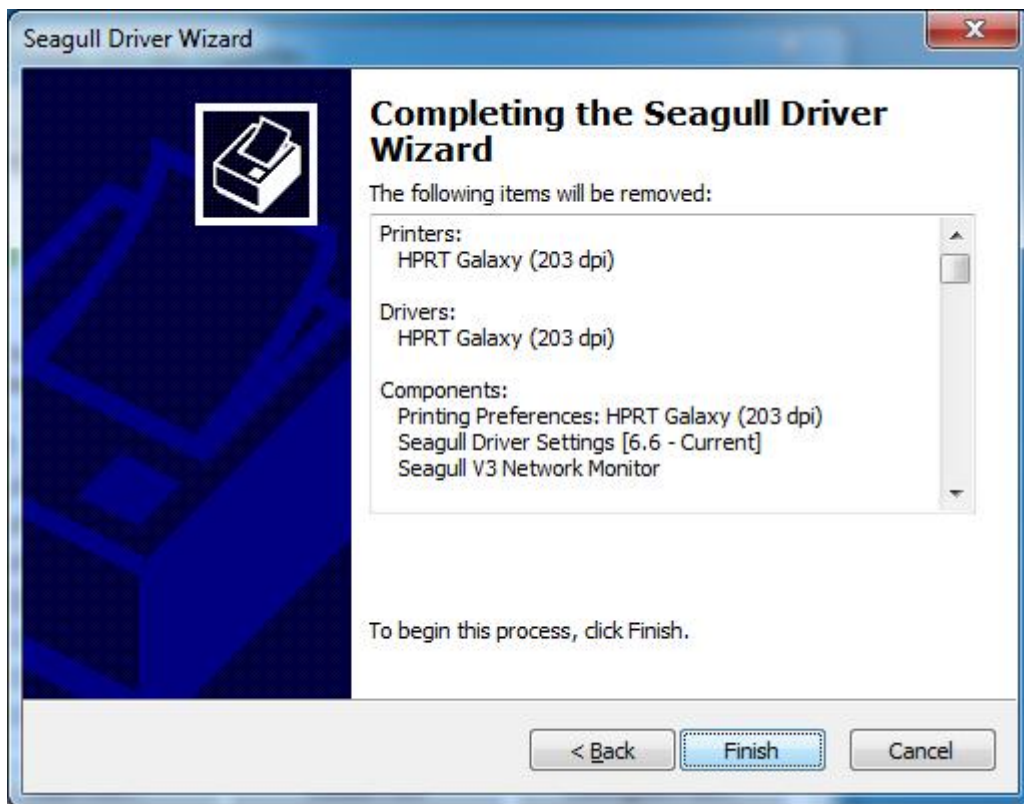
6. Select “Remove printers”, then click “Next”.



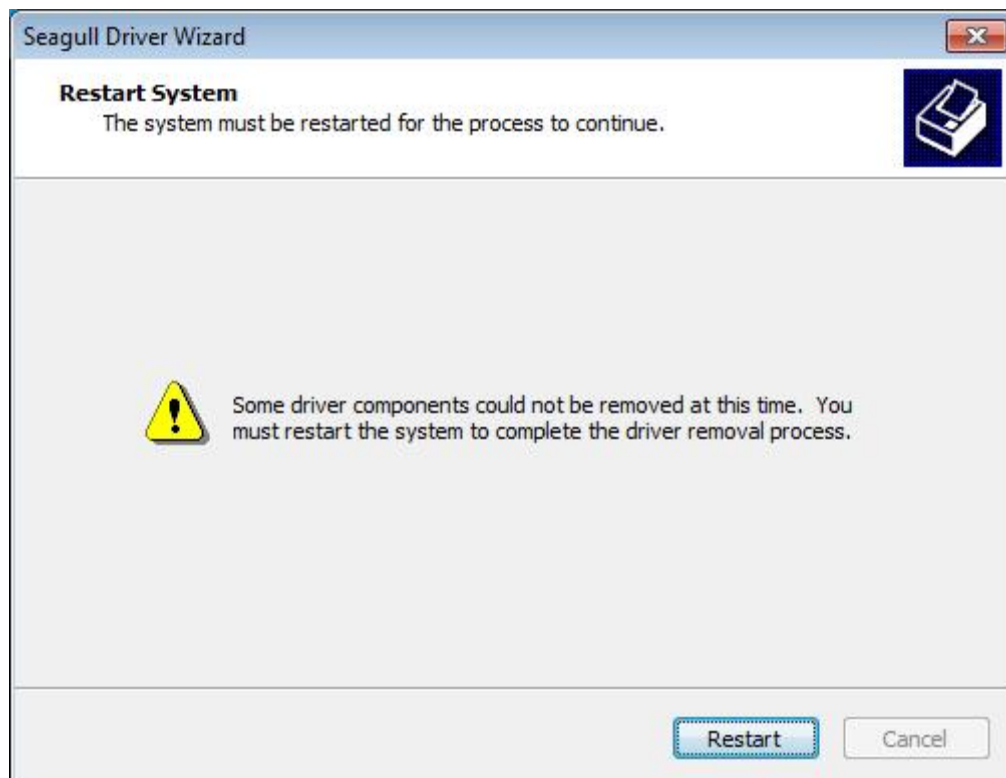
7. Select printer’s name, then click “Next”.



8. Click "Finish".



9. Restart the computer when appearing the following prompt, or continue step 10.



10. Click "Close". The driver has been removed successfully.

