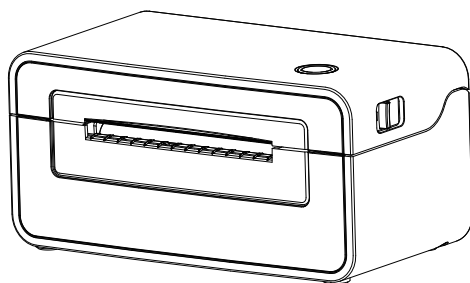


# HPRT

## Quick Start Guide

### SL42



**Xiamen Hanin Electronic Technology Co.,Ltd.**

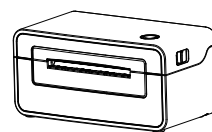
ADD: 5F, 8#, Aide Airport Industrial Park, Huli District, Xiamen, China 361009

TEL: 0592-5885991

WEB: www.hpert.com

## Packing List

### Standard



Printer



Power Cord



CD

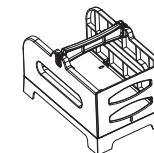


USB Cable

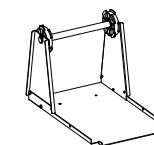


Quick Start Guide

### Optional



Folding Paper Storage

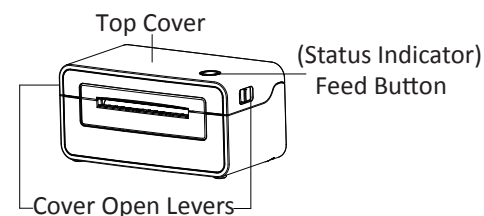


External Paper Roll Holder

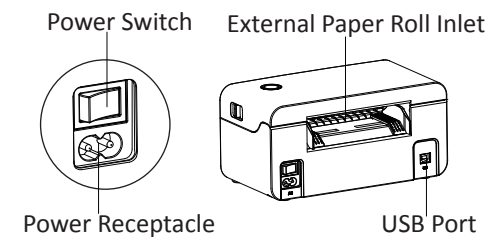
**⚠ Note: the packing materials are actually based on the order.**

## Appearance and Components

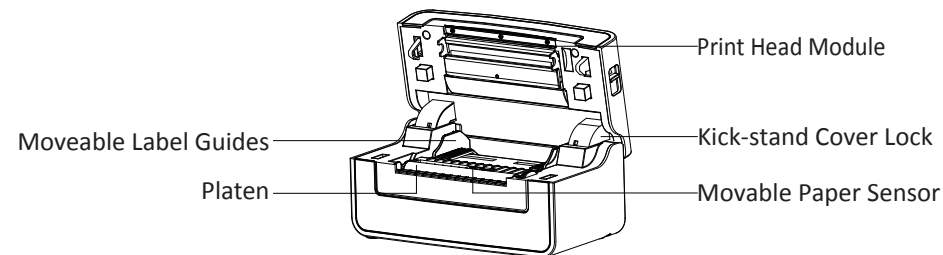
### Front View



### Rear View



### Inside View

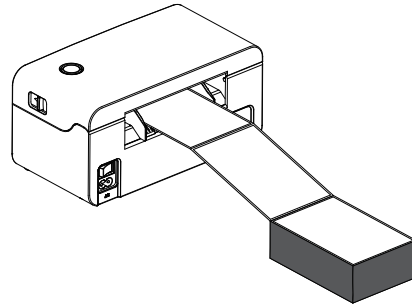
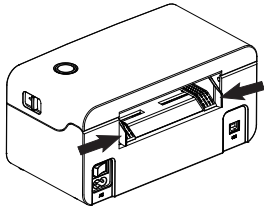


**⚠ Note: the views above are for your reference. Ports vary by your choice.**

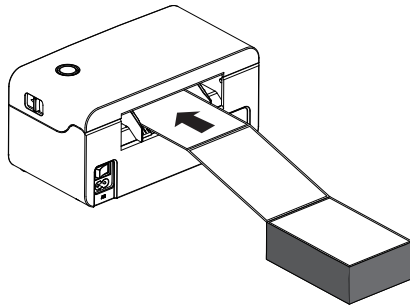
## Loading the Roll

### ■ Folding Paper Loading

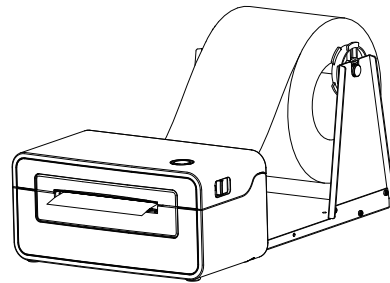
1. Turn the power on, adjust the paper guides to fit the width of paper.
2. Insert the paper into the entry slot.



3. The paper will be inhaled into the path automatically.



### ■ External Paper Roll Loading

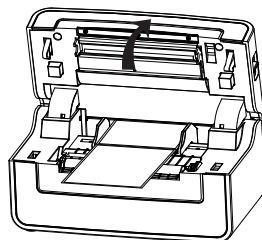
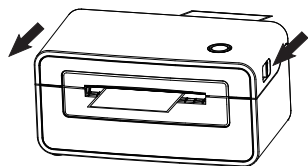


### ⚠ Note:

1. When the printer is power on, the paper will be inhaled into the path automatically.
2. The external paper roll holder needs to be aligned with the hooks at the bottom of the printer.

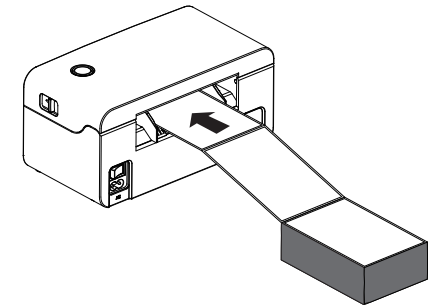
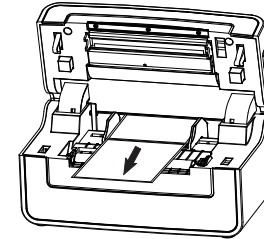
## Paper Jam Handling

1. Press the cover open levers and hold upwards.
2. Open the printer cover.



## Paper Jam Handling

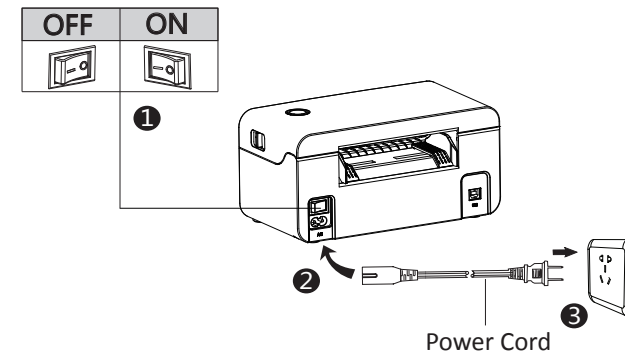
3. Take out the jammed paper, then clean up the print head and platen.
4. Reload a new paper.



⚠ Note: turn off the printer power when taking the above steps.

## Power Connection

1. Make sure the power switch is in "off".
2. Connect the power cord to power receptacle.
3. Connect the other end of power cord to the outlet.



⚠ Note: Please refer to the SL42 User Manual for the tool and driver installation.